

**Chef**<sup>®</sup>  
TESTED ✓

by **Montgomery Ward**<sup>®</sup>

**Chef**<sup>®</sup>  
TESTED ✓

by **Montgomery Ward**<sup>®</sup>

Seven  
settings to  
give you the  
brown you  
want!

## 4-Slice Toaster



## Instruction Manual

MODEL: CTT47S (Black); CTT4R (Red)  
120V~, 60Hz, 1650W

Montgomery Ward Customer Service  
3650 Milwaukee Street, Madison, WI 53714  
8:00 am to Midnight, Monday through Friday

Wards.com 1-888-557-3848

Wards.com 1-888-557-3848



# Chef<sup>®</sup> TESTED ✓

by **Montgomery Ward<sup>®</sup>**

Thank you for purchasing your Chef Tested<sup>®</sup> 4-Slice Toaster by Montgomery Ward<sup>®</sup>. Put through the paces by the experts, we guarantee that it will perform to the highest standard, time after time, with all the convenience, easy clean-up and durability you rely on from Wards.

Enjoy your gleaming, new brushed stainless steel toaster, with four wide slots for all your toasting needs! It looks stunning on your counter and is just as impressive with its lickety-split fast toasting time, thanks to 1650 watts of power—which is above the ordinary of most toasters. Two separate carriage levers with high-lift function and seven settings let you operate each side independently. The luminous push-buttons for defrost, reheat and cancel let you get mealtime going.

## Table of Contents

Important Safeguards.....	3–4
Polarized Plug.....	5
Before Using for the First Time.....	6
Parts & Features.....	6–7
Operating Instructions.....	7–8
Automatic Centering Guide.....	8
Tips & Troubleshooting.....	9
Cleaning & Maintenance.....	9
Warranty & Return Information.....	10–11

**PLEASE SAVE THESE INSTRUCTIONS**

THIS APPLIANCE IS FOR HOUSEHOLD USE ONLY

© 2014 Montgomery Ward, Inc. All rights reserved.

## Important Safeguards

### PLEASE READ THESE INSTRUCTIONS BEFORE USE

Basic safety precautions should always be followed when using your 4-Slice Toaster, especially when children are present.

**WARNING: TO AVOID THE RISK OF ELECTRICAL SHOCK, ALWAYS MAKE SURE THE PRODUCT IS UNPLUGGED FROM THE ELECTRICAL OUTLET BEFORE ASSEMBLING, DISASSEMBLING, RELOCATING, SERVICING OR CLEANING**

1. Read all instructions carefully.
2. Make sure that your outlet voltage corresponds to the voltage stated on the rating label of this toaster.
3. Do NOT touch hot surfaces. Use handles or knobs.
4. To protect against electrical shock, do NOT immerse cord, plug or any part of the toaster in water or any other liquid.
5. This appliance is not intended for use by persons (including children) with reduced physical, sensory or mental capabilities, or lack of experience or knowledge, unless they have been given supervision or instruction concerning the use of the appliance by a person responsible for their safety.
6. Children should be supervised to ensure that they do not play with the appliance.
7. Allow this unit to cool completely before cleaning or storing.
8. Do NOT operate any appliance with a damaged cord or plug. If the cord is damaged, call our toll-free Customer Service for information on returns or replacement.
9. Do NOT let the cord hang over the edge of a table or counter, or touch hot surfaces.
10. Do NOT place on or near a hot gas or electric burner, or in a heated oven.
11. Do NOT use this appliance for other than its intended use.
12. Oversized food, metal foil packages or utensils must not be inserted in the toaster as they may cause fire or electric shock.

## Important Safeguards (cont'd)

13. The use of accessory attachments not recommended by the appliance manufacturer may cause injuries.
14. Use this toaster on a level, heat-resistant and stable surface.
15. Do NOT attempt to dislodge food while the toaster is in operation.
16. Remove toasted foods carefully so as to avoid injuries.
17. Do NOT use this appliance outdoors.
18. A fire may occur if this toaster is covered or touching flammable material including curtains, draperies, walls, etc. while in operation.

## Polarized Plug

This appliance has a polarized plug (one blade is wider than the other). As a safety feature to reduce the risk of electrical shock, this plug is intended to fit a polarized outlet only one way. If the plug does not fit fully in the outlet, reverse the plug. If it still does not fit, contact a qualified electrician. Do not attempt to modify the plug in any way.

### SHORT CORD INSTRUCTIONS

1. A short power supply cord is provided to reduce the risk resulting from becoming entangled in or tripping over a longer cord.
2. Longer detachable power-supply cords or extension cords are available and may be used if care is exercised in their use.
3. If a long detachable power cord or extension cord is used:
  - The marked electrical rating of the detachable power supply cord or extension cord should be at least as great as the electrical rating of the appliance.
  - If the appliance is of the grounded type, the extension cord should be the same type 3-wire.
  - The longer cord should be arranged so that it will not drape over the countertop or tabletop where it can be pulled on by children or tripped over.

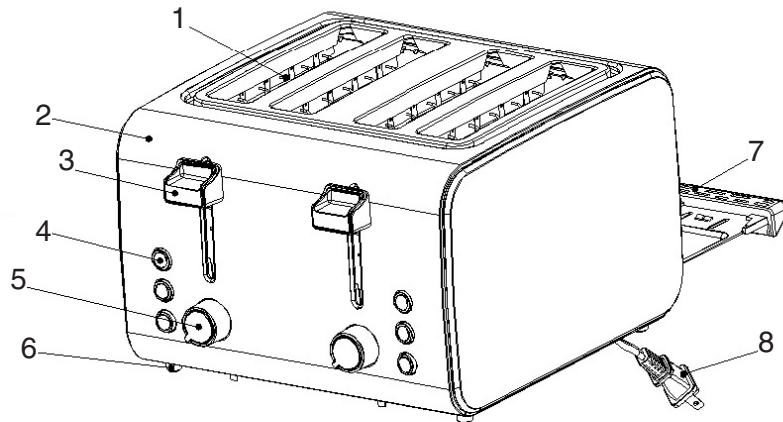
### PLASTICIZER WARNING

**CAUTION:** To prevent Plasticizers from migrating from the finish of the countertop or tabletop or other furniture, place NON-PLASTIC coaster or place-mats between the appliance and the finish of the countertop or tabletop. **Failure to do so may cause the finish to darken. Permanent blemishes may occur or stains can appear.**

## Before Using for the First Time

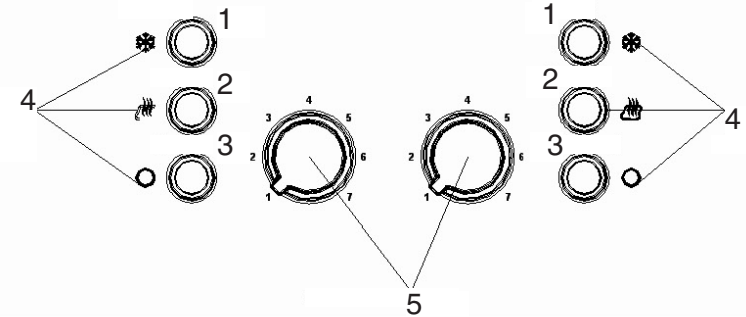
1. Remove all packaging materials including those that may be inside the toasting slots or toasting level slots.
2. Wipe the exterior with a damp cloth. Dry thoroughly. Do NOT use abrasive cleaners.
3. Do NOT put the toaster, plug or cord in water or other liquid.
4. Be sure both crumb trays are pushed all the way into the back of the toaster and the toasting levers are in the UP position.
5. Plug power cord into a 120V AC outlet.
6. Turn both of the color control knobs to "1" (the lightest setting).
7. Lower both of the toaster levers until they lock into place. Operate without bread once or twice to burn off any manufacturing residue. You may notice a light amount of smoke—this is normal and will stop as the heating elements continue to heat.

## Parts & Features



- |                        |                       |
|------------------------|-----------------------|
| 1. Bread Guide         | 5. Shade Control Knob |
| 2. Housing             | 6. Feet               |
| 3. Toasting Lever      | 7. Crumb Tray         |
| 4. Programming Buttons | 8. Power Cord         |

## Parts & Features (cont'd)



1. Defrost
2. Reheat
3. Cancel
4. Program Indicator Lights
5. Shade Control Knob

## Operating Instructions

1. Insert slice of bread to be toasted into the bread slot. This toaster can hold up to 4 slices every time. This appliance is a combination of two units, each can perform independently of the other or they can perform together.

**NOTE:** Make sure the crumb tray is completely positioned in place before using.

2. Plug the power cord into the outlet.

3. Turn the color control knob to the desired darkness. The lowest setting (1) is white and the highest (7) is dark.

**NOTE:** Toasting color for one slice is darker than that for two slices at the same level.

4. Press the TOASTING LEVER down until it locks into place (the CANCEL Indicator will be illuminated). Once the toast has been toasted to the preset color, the TOASTING LEVER will automatically release. You can lift up on the TOASTING LEVER for additional lift when removing toast.

**NOTE:** The TOASTING LEVER will not lock into place if the power cord is not plugged into an electrical outlet.

## Operating Instructions (cont'd)

5. During the toasting process, you may check the toasting color. If it is done to your satisfaction, press CANCEL to cancel toasting at any time.
6. If the bread that you are toasting has been removed from the refrigerator or freezer, press the DEFROST button (indicator light will illuminate). In this mode, the bread will be toasted a little longer in order to reach your desired color.
7. If, after you have toasted the bread, it becomes cold, you can use the REHEAT function. Place your bread (as long as it hasn't been buttered, etc.) in the toaster and press the REHEAT button (the indicator will illuminate). In this mode, toasting time is fixed and the TOASTING LEVER will automatically release once the function has ended.

### CAUTION:

1. If the toaster begins to smoke, press CANCEL to stop toasting immediately.
2. Remove all protective wrapping prior to placing bread in the toaster.
3. Avoid toasting food with extremely runny ingredients (butter, jam, etc.)
4. NEVER attempt to remove bread jammed in the slots without first unplugging the toaster from the electrical outlet. Be sure not to damage the internal mechanism or heating elements when removing bread.
5. The bread slot can be used for toasting bread, English muffins, bagels, Texas toast, frozen waffles and other similar food items.

## Automatic Centering Guide

Make sure either one or both of the toasting levers closes the centering guides and holds the bread or toaster food centrally in the toasting slots.

**NOTE:** The toasting lever(s) will not lock down unless the toaster is plugged into a 120V AC electrical outlet.

## Tips & Troubleshooting

- Toasting is affected by the temperature of the bread. Room temperature bread may toast to a medium color on setting "3". The same type of bread that has been refrigerated may require setting "4", and if frozen, setting "5".
- Thick foods may become wedged in the toaster slot. If food becomes jammed, the toaster will automatically shut off at the end of the toasting cycle. Unplug the toaster and let cool. Use a wooden utensil to remove food.
- When toasting only one slice, the bread may be placed in either slot of the toaster. When toasting a single slice, you may notice variations in bread color from side to side.
- "Dark" (7) is the darkest shade of toast color. If a darker shade is desired, reset at setting 2 and watch closely as you toast for a second time.
- The toaster is designed for even brownness on both sides of the toast. The inner heating elements of the toaster will not be as radiant as the outer heating elements during toasting—this is normal and not a defect.

## Cleaning & Maintenance

1. Disconnect from the electrical outlet before cleaning.
2. Wipe the outside with a soft dry cloth after the toaster has cooled down. NEVER use metal polish.
3. Pull out the crumb tray on the bottom of the toaster and empty it. If the toaster is used frequently, accumulated bread crumbs should be removed at least once a week. Make sure the crumb tray has been correctly replaced before using the toaster.
4. When not in use or in storage, the power cord may be wound under the bottom of the toaster.

## Returns

If any item, for any reason, does not meet your expectations, just return it to us. We'll gladly either:

- Refund your merchandise amount
- Credit your account
- Send a replacement

You can return any unused item in its original packaging within 60 days of its receipt for a full refund of the purchase price (excluding shipping and handling charges).

**Please send returns to:**

**Montgomery Ward, Inc.  
Attn: Customer Returns  
2000 Harrison Suite 100  
Clinton, IA 52732-6676**

**When returning an item:**

- Use the original packaging and pack it securely.
- Please adequately insure your item in case you need to make a claim with the carrier you choose for returning your item.
- Include your order number and reason for return.
- We recommend keeping the receipt for 4 weeks.

**Chef**<sup>®</sup>  
**TESTED** ✓

### 1 Year Limited Warranty

Montgomery Ward, Inc. warrants this Chef Tested product to be free from defects in material and workmanship for one year from provable date of purchase.

Within this warranty period, Montgomery Ward will repair or replace, at its option, defective parts of this Chef Tested product at no charge, provided the product is returned, freight prepaid with proof of purchase to Montgomery Ward. Allow 2-4 weeks for return shipping.

This warranty does not cover improper installation, misuse, abuse or neglect on part of the owner. Warranty is also invalid in any case that the product is taken apart or serviced by an unauthorized service station.

This warranty gives you specific legal rights and they may vary from state to state.

THE FOREGOING WARRANTIES ARE IN LIEU OF ALL OTHER WARRANTIES AND CONDITIONS, EXPRESS OR IMPLIED, INCLUDING BUT NOT LIMITED TO THOSE OF MERCHANTABILITY OR FITNESS FOR A PARTICULAR PURPOSE.

Montgomery Ward Customer Service  
8:00 am to Midnight CST, Monday through Friday

**Wards.com 1-888-557-3848**