

Montgomery Ward®

Montgomery Ward®

Enjoy cool,
refreshing
ice in just
13 minutes

Compact Portable Ice Maker



Instruction Manual

MODEL: FCI121B, FCI122R, FCI126Z, FCI130BL

Montgomery Ward Customer Service
1112 7th Avenue, Monroe, WI 53566
8:00 am to Midnight, Monday through Friday

Wards.com 1-888-557-3848

Item No.: 710093
115V~, 60Hz, 230W

Wards.com 1-888-557-3848



Thank you for purchasing your Compact Portable Icemaker by Montgomery Ward®. We guarantee that it will perform to the highest standard, time after time, with all the convenience, easy cleanup and durability you rely on from Wards.

Fresh ice for summer picnics, family get-togethers, and more—you'll find yourself relying on this on-demand icemaker all year long. Each batch is ready in just 13 minutes, and it's capable of producing up to 26 lbs. daily. Electronic controls, including ice size and water/ice bucket indicators make it easy to use, too!

Table of Contents

- Important Safeguards 3
- Electrical Requirements..... 3-4
- Parts & Features..... 4-5
- Before Using for the First Time 5-6
- How to Use 6
- Operating Process..... 7
- Cleaning & Maintenance 8
- Troubleshooting 9
- Warranty & Return Information..... 10-11

PLEASE SAVE THESE INSTRUCTIONS
THIS APPLIANCE IS FOR HOUSEHOLD USE ONLY

© 2016 Montgomery Ward, Inc. All rights reserved.

Important Safeguards

PLEASE READ THESE INSTRUCTIONS BEFORE USE

WARNING: TO AVOID THE RISK OF ELECTRICAL SHOCK, ALWAYS MAKE SURE THE PRODUCT IS UNPLUGGED FROM THE ELECTRICAL OUTLET BEFORE ASSEMBLING, DISASSEMBLING, RELOCATING, SERVICING OR CLEANING

When using electrical appliances, basic safety precautions should always be followed, including the following:

1. Close supervision is necessary when using this appliance near children. This appliance is not suitable for use by children.
2. Never leave an appliance unattended while in use.
3. Do NOT place an appliance on or near a hot gas or electric burner, or in a heated oven. Do NOT place on top of any other appliance.
4. DO NOT let the power cord of an appliance hang over the edge of a table or counter top or touch any hot surface.
5. Do NOT operate any electrical appliance with a damaged cord or plug or after the appliance malfunctions or has been dropped or damaged in any manner.
6. The ice maker should not be adjusted or repaired. Call our toll-free number for information on replacement or returning the product.
7. The use of accessory attachments that are not recommended by the appliance manufacturer may cause fire, electric shock or injury.
8. Avoid contact with moving parts when the unit is in operation.
9. NEVER touch the cooling elements when the unit is in operation.
10. Do NOT use outdoors.
11. Do NOT use appliance for other than its intended use.

Electrical Requirements

Wiring and Grounding Instructions:

This appliance must be plugged into at least a 15 AMP, 110-115 VOLT, 60 Hz grounded outlet. This appliance must be grounded.

It is equipped with a 3-wire cord with a grounded plug. The plug must be plugged into an outlet that is properly installed and grounded.

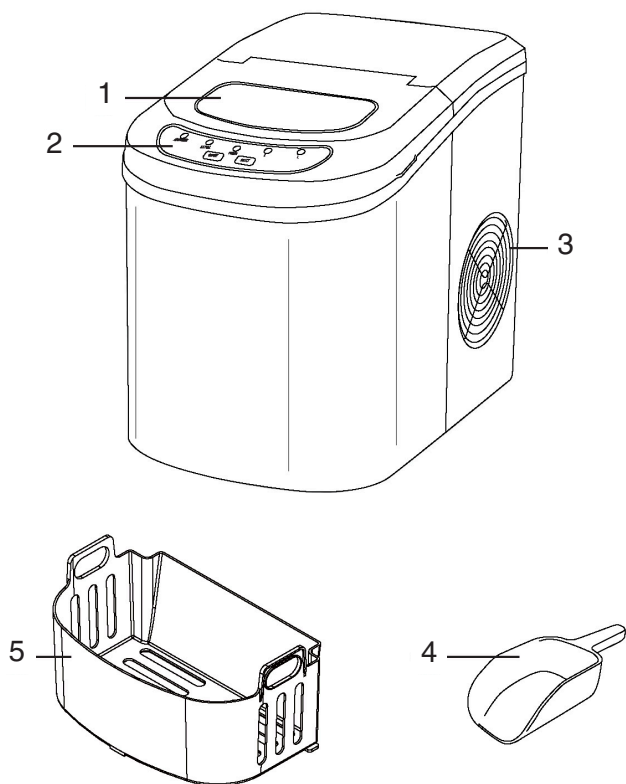
WARNING: Improper use of grounded wire can result in the risk of electric shock. Consult an electrician if necessary. Do NOT attempt to defeat this safety feature by modifying the plug.

Electrical Requirements (cont'd)

Avoid the use of an extension cord because it may overheat and cause a risk of fire. However, if it is necessary to use an extension cord:

- Use only 3-wire extension cords with a 3-blade grounded plug.
- The marked rating of an extension cord must be equal to or greater than the rating of this appliance.
- The cord should be positioned so that it does not drape over the counter or tabletop where it can be pulled on by children unintentionally.

Parts & Features

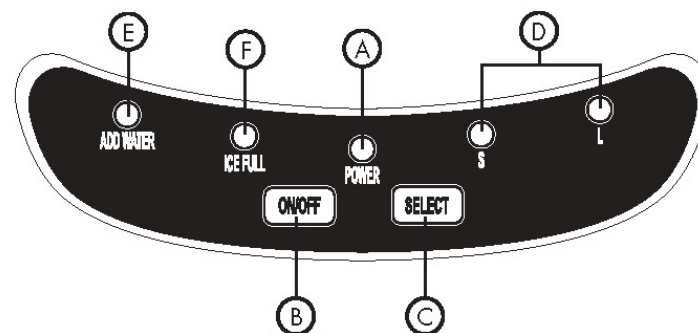


1. Cover with transparent window
2. Control Panel (see next page for features)
3. Compressor Cooling Fan (Do NOT block air flow)
4. Ice Scoop
5. Ice Basket

Parts & Features (cont'd)

Control Panel: easy to use, button function with LED indicators:

- A. Power LED indicator
- B. Power “ON/OFF” button
- C. Ice Cube “SELECT SIZE” button
- D. Selected ice size LED indicator displays “SMALL” or “LARGE” ice cubes to be made
- E. “ADD WATER” indicator (alerts that there is no water in the Water Reservoir (2)), must add water
- F. “ICE FULL” LED indicator



Before Using for the First Time

This portable ice maker uses a fully automatic control system, with an advanced microcomputer for easy and convenient ice making. Making ice is simple and fast. Just add water, plug into an outlet and press the “ON” button. You can select one of two ice cube sizes with the touch of a button. When first turning on the unit during ice making cycles, the compressor will stay idle for 3 minutes, while energizing.

There are warning indicators that alert you to fill with water when the reservoir is empty and to remove ice when the storage basket is full. The ice maker also has built-in safeguards that can limit accidental damage, automatically shutting down the system when necessary.

Pre-operating instructions:

Please read carefully.

1. The incline angle of the ice maker cabinet should not exceed 45° during transportation or use. Do NOT turn the ice maker upside-down.

Doing so could cause the compressor or refrigerating system to operate incorrectly. When the ice maker is moved or transported, please allow time for the fluids in the compressor to settle. Before using the ice maker for the first time, please wait 2 hours after the unit has been leveled and positioned in its proper place.

2. Please ensure the ice maker is level and on a stable table or platform to avoid malfunction.
3. The machine must be placed on a dry and level surface with sufficient ventilation, far from heat sources such as ovens, heaters, and corrosive gases. Leave an 8-inch clearance on all sides of the ice maker for proper ventilation.
4. Do NOT fill the water reservoir with hot water. This may damage the ice maker. It is best to fill the water reservoir with water of room temperature or colder.

How to Use

1. Open the top cover, take out the ice storage basket and fill the water reservoir with drinkable (tap, purified or bottled) water (2.3 quarts capacity) to the level mark and replace the ice storage basket.

Make sure that the water level does not reach above the level mark or the bottom of the ice storage basket. Close the top cover.

NOTE: During the operation process, if the level of water in the water reservoir becomes too low, the machine will automatically stop operating and the “ADD WATER” LED indicator will light up.

2. Plug the unit into a grounded outlet. Push the “ON/OFF” button on the control panel to turn the machine on.
3. Select the desired size of ice cube by pressing the “S” or “L” ice selector button.

NOTE: To stop operation, press the “ON/OFF” button.

1. Water is pumped from the water storage tank to the water box, which may take up to 1 minute.
2. The ice making cycle begins when the evaporator rods are dipped into the water box. You will hear the compressor working.
3. It will take approximately 6–13 minutes for each ice making cycle, depending on the size selected and room temperature. The larger the size or higher room temperature, the more time is needed to make the ice. After the cycle is finished, the water box will tilt forward and the remaining water will flow back into the water storage tank. The evaporator rods will then release the ice cubes.

NOTE: If the room temperature is below 60° F, then small ice cube sizes are suggested to prevent ice cubes from fusing together.

4. Approximately 15 seconds later, the water box will tilt backwards and the ice pusher will push the ice into the ice storage basket. After the water box flips back to its original position, the next ice making cycle will begin.
5. When the maximum capacity of ice cubes is collected and the ice obstructs the infrared sensor, the ice maker will automatically stop operating. The “ICE FULL” LED indicator will light up.

If more ice is needed, remove the ice from the ice storage basket (5); then place the basket back into the machine, making sure that the basket is placed back in its original position.

NOTE: When replacing the basket, ensure that the infrared sensor is not obstructed by the basket so that the machine operates properly.

WARNING! Direct or reflected sunlight may cause the infrared sensor to malfunction. If the unit doesn't stop, even with ice cubes obstructing the sensor, move the unit out of the sunlight.

6. To continue making ice, check that there is water in the water storage tank. If there is no water in the water storage tank, then no water will be pumped into the water box, and the operation will stop. The “ADD WATER” LED indicator will light up. Press the “ON/OFF” button. Fill the water storage tank with water, and then press the “ON/OFF” button for the ice maker to begin operating again. Allow the refrigerant inside the compressor at least 3 minutes to settle before restarting.
7. If the compressor stops for any reason such as water shortage, too much ice, power off, etc., do NOT restart the machine right away. Wait at least 3 minutes before restarting the machine.

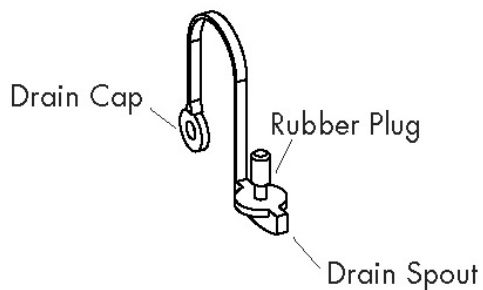
Before using your ice maker, it is strongly recommended that you clean the ice maker thoroughly. Be sure to clean the ice maker regularly.

1. When cleaning, please make sure the power has been turned off and the plug is disconnected from the outlet. When plugging or unplugging the unit from the outlet, pull directly on the plug. NEVER pull on the power cord.
2. Remove the ice storage basket.
3. Drain the remaining water from the unit by unplugging the drain plug on the front bottom side. When cleaning is completed, the plug must be properly inserted back onto the drain otherwise the ice maker will leak.
4. Use a mild detergent diluted in warm water and wipe with a soft towel or sponge.

Solvents, detergents and abrasives must never be used for cleaning.

5. Wipe the inner parts, such as the ice storage basket, water reservoir, water box, ice pusher and evaporator rods.
6. The outside of the ice maker should be cleaned regularly with a mild detergent solution, warm water and a soft cloth.
7. Dry the interior and exterior with a soft cloth.
8. To begin making ice once the unit has been cleaned, pour clean water into the water reservoir and fill up to the level line (see "How to Use" instructions, p. 6)

NEVER tilt or place the ice maker on its side, otherwise you must wait 10 hours for compressor coolant to settle.
9. To ensure the cleanliness of the ice cubes, the water in the water storage tank should be replaced every 24 hours.
10. When the machine is not in use or will not be used for an extended period of time, pull out the drain plug (on the bottom near the front of the machine) to empty the remaining water in the water reservoir completely. (Follow instructions in #3 above.)



Problem	Possible Causes	Solution
"ADD WATER" indicator light turns on.	Low water level or lack of water.	Add water and the ice maker will operate automatically.
There is no indication on the control panel.	Disconnection of the plug.	Check that the plug is plugged into the electrical outlet.
"ICE FULL" and "ADD WATER" indicators light up simultaneously.	Electrical power surge. OR There may be air in the lines or the lines are blocked. The water tank cannot detect water level.	Turn off the ice maker, unplug it, fill with water if needed, replace the plug and restart the unit. OR Check if ice is blocking the ice pusher. Turn off the unit; let the ice melt and restart. Otherwise contact our Customer Service.
The "ICE FULL" indicator light is on.	The ice basket is full. OR The ice basket is not full or there is no ice in the basket.	Remove ice from the ice storage basket to make more. OR Hold down the "SELECT" button for 5 seconds; the ice maker will make ice for 10 cycles even though the "ICE FULL" indicator is lit.
The unit does not operate.	Power is not being supplied to the unit. The ambient temperature or the water temperature is too high.	Plug the unit into a standard 110/120 Volt, 60 Hz power source. Please run the ice maker in temperatures below 90° F and/or pour colder water into the water reservoir.
Making ice takes too much time.	Ice blockage. No ice is being made.	Turn off the machine. Start the machine after the ice block melts. Or change the size selector to small ice cubes.
The ice making cycle seems normal but no ice is being produced.	There is a refrigerant leakage. A pipe in the cooling system is blocked.	Call our toll-free Customer Service.

NOTE: There is protective circuitry inside this ice maker to protect the circuitry from overheating and the ice maker will automatically shut down to prevent damage if activated. Please disconnect power cord and restart after 30 minutes of cooling down time.

Returns

If any item, for any reason, does not meet your expectations, just return it to us. We'll gladly either:

- Refund your merchandise amount
- Credit your account
- Send a replacement

You can return any unused item in its original packaging within 60 days of its receipt for a full refund of the purchase price (excluding shipping and handling charges).

Please send returns to:

**Montgomery Ward, Inc.
Attn: Customer Returns
2000 Harrison Suite 100
Clinton, IA 52732-6676**

When returning an item:

- Use the original packaging and pack it securely.
- Please adequately insure your item in case you need to make a claim with the carrier you choose for returning your item.
- Include your order number and reason for return.
- We recommend keeping the receipt for 4 weeks.

Montgomery Ward®
Improving American Homes Since 1872

1 Year Limited Warranty

Montgomery Ward, Inc. warrants this product to be free from defects in material and workmanship for one year from provable date of purchase.

Within this warranty period, Montgomery Ward will repair or replace, at its option, defective parts of this product at no charge, provided the product is returned, freight prepaid with proof of purchase to Montgomery Ward. Allow 2–4 weeks for return shipping.

This warranty does not cover improper installation, misuse, abuse or neglect on part of the owner. Warranty is also invalid in any case that the product is taken apart or serviced by an unauthorized service station.

This warranty gives you specific legal rights and they may vary from state to state.

THE FOREGOING WARRANTIES ARE IN LIEU OF ALL OTHER WARRANTIES AND CONDITIONS, EXPRESS OR IMPLIED, INCLUDING BUT NOT LIMITED TO THOSE OF MERCHANTABILITY OR FITNESS FOR A PARTICULAR PURPOSE.

Montgomery Ward Customer Service
8:00 am to Midnight CST, Monday through Friday

Wards.com 1-888-557-3848