

# Montgomery Ward®

# Montgomery Ward®



## Sewing Machine



MODEL: JW12

Montgomery Ward Customer Service  
1112 7<sup>th</sup> Avenue, Monroe, WI 53566  
8:00 am to Midnight, Monday through Friday

Wards.com 1-888-557-3848

## Instruction Manual

Item No.: 724723  
120V~, 60Hz, 15W

Wards.com 1-888-557-3848



Thank you for purchasing your Sewing Machine by Montgomery Ward®. It will perform to the highest standard, time after time, with all the convenience and durability you rely on from Wards. We guarantee it!

Perfect for basic or advanced sewing, this machine is a real workhorse. The 54 stitching features lets you make buttonholes to zippers and everything in between. You'll love the light weight portability and well lit LED work surface.

## Table of Contents

Important Safeguards .....3-4  
 Polarized Plug ..... 4  
 Parts & Features.....5-6  
 Operating Instructions ..... 6-15  
 How to Use ..... 16-26  
 Cleaning & Care .....27-28  
 Thread & Needle Guide..... 29  
 Troubleshooting ..... 30  
 Warranty & Return Information.....32-33



3102543  
 Conforms to UL Std. 471  
 Certified to CSA Std. C22.2 No. 120-13

**PLEASE SAVE THESE INSTRUCTIONS**

**THIS APPLIANCE IS FOR HOUSEHOLD USE ONLY**

© 2015 Montgomery Ward, Inc. All rights reserved.

## Important Safeguards

**PLEASE READ THESE INSTRUCTIONS BEFORE USE**

Basic safety precautions should always be followed when using your sewing machine, especially when children are present.

**WARNING: TO AVOID THE RISK OF ELECTRICAL SHOCK, ALWAYS MAKE SURE THE PRODUCT IS UNPLUGGED FROM THE ELECTRICAL OUTLET BEFORE ASSEMBLING, DISASSEMBLING OR RELOCATING. DO NOT TRY TO SERVICE THIS PRODUCT YOURSELF.**

1. Do not allow to be used as a toy. Supervision is necessary when used by or near children.
2. To protect against electrical shock, do not place cord, plug or appliance in water or other liquid.
3. Unplug from outlet when not in use and before cleaning.
4. Do not operate any appliance with a damaged cord or plug, or after the appliance malfunctions or has been damaged in any manner. Call our toll-free customer service number for information regarding replacement, or returning the product.
5. The use of accessory attachments not recommended by the manufacturer may cause personal injury or damage to the appliance.
6. Do not use outdoors.
7. Never drop or insert any object into any opening. Never operate the appliance with any air opening blocked. Keep ventilation openings of this sewing machine and foot controller free from accumulation of lint, dust and loose cloth.
8. Do not operate where aerosol (spray) products are being used or where oxygen is being administered.
9. Do not use appliance for other than intended use.
10. To disconnect, turn all controls to the off ("O") position, then remove plug from outlet. Do NOT pull out by cord.
11. Keep fingers away from all moving parts. Special care is required around the sewing machine needle.
12. Always use the proper needle plate. The wrong plate can cause the needle to break.
13. Do not use bent needles.
14. Do not pull or push fabric while stitching. It may deflect the needle causing it to break.

## Important Safeguards (cont'd)

15. Switch this sewing machine off ("O") when making any adjustment in the needle area, such as threading the needle, changing the needle, threading the bobbin or changing the presser foot, and the like.
16. Always unplug this sewing machine from the electrical outlet when removing covers, lubricating, or when making any other adjustments mentioned in this manual.
17. Do not store the machine in a high-humidity area, near a heat radiator, or in direct sunlight.
18. Dispose of this appliance in accordance with local regulations.

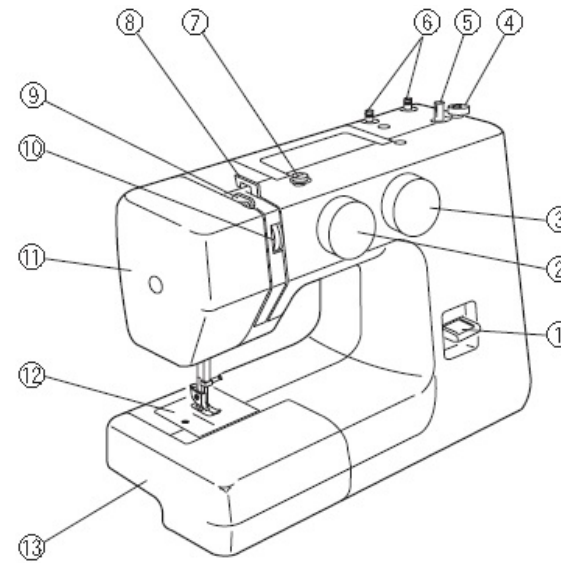
## Polarized Plug

This appliance has a polarized plug (one blade is wider than the other). As a safety feature to reduce the risk of electrical shock, this plug is intended to fit a polarized outlet only one way. If the plug does not fit fully in the outlet, reverse the plug. If it still does not fit, contact a qualified electrician. Do not attempt to modify the plug in any way.

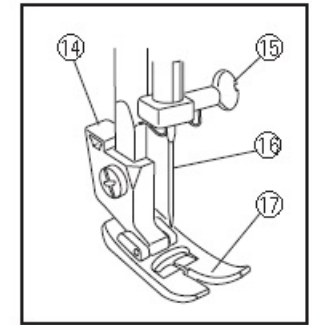
### SHORT CORD INSTRUCTIONS

1. A short power supply cord is provided to reduce the risk resulting from becoming entangled in or tripping over a longer cord.
2. Longer detachable power-supply cords or extension cords are available and may be used if care is exercised in their use.
3. If a long detachable power cord or extension cord is used:
  - The marked electrical rating of the detachable power supply cord or extension cord should be at least as great as the electrical rating of the appliance.
  - If the appliance is of the grounded type, the extension cord should be the same type 3-wire.
  - The longer cord should be arranged so that it will not drape over the countertop or tabletop where it can be pulled on by children or tripped over.

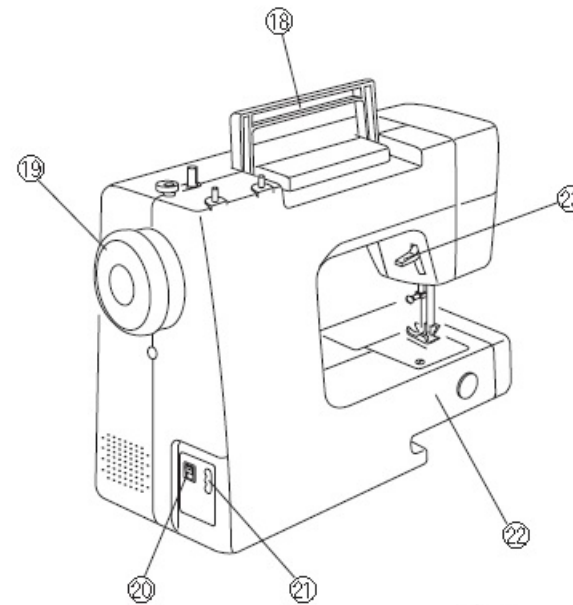
## Parts & Features



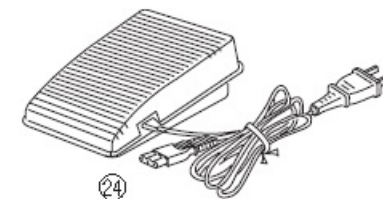
1. Reverse stitch button
2. Pattern selector dial
3. Stitch length dial
4. Bobbin winder stopper
5. Bobbin winder spindle
6. Spool pins
7. Bobbin winder thread guide
8. Thread guide
9. Thread take-up lever
10. Thread tension dial
11. Face cover
12. Needle plate
13. Extension table



14. Presser foot holder
15. Needle clamp
16. Needle
17. Presser foot



18. Carrying handle
19. Handwheel
20. Power switch
21. Machine socket
22. Free arm
23. Presser foot lifter

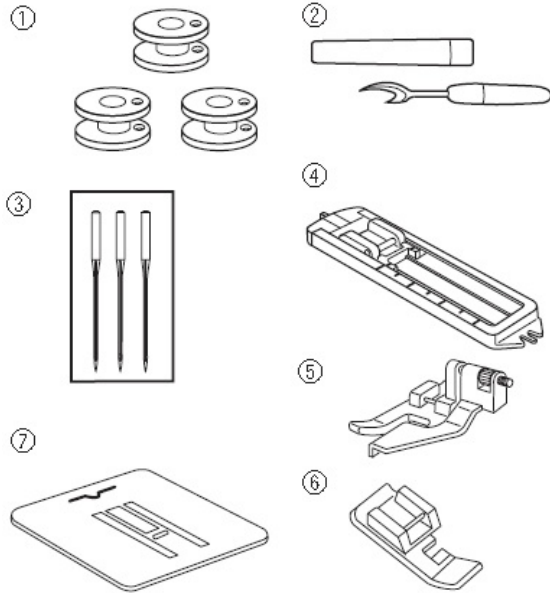


24. Foot control

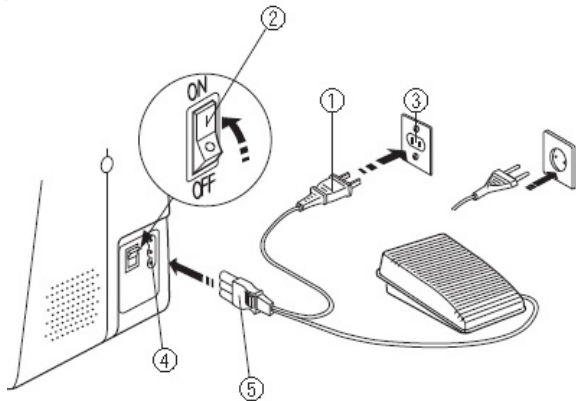
## Accessories

Sewing accessories are conveniently located in the extension table.

1. Bobbins
2. Seam ripper/ Buttonhole opener
3. Needle set
4. Sliding buttonhole foot
5. Blind hem foot
6. Zipper foot
7. Darning plate



# Operating Instructions



1. Turn the power switch (2) to OFF.
2. Insert the machine plug (5) into the machine socket (4).
3. Insert the power supply plug (1) into the outlet (3).
4. Turn the power switch (2) to ON.

While in operation, always keep your eyes on the sewing area, and do not touch any moving parts such as the thread take-up lever, handwheel or needle. Always turn off the power switch and unplug from the power supply when leaving the machine unattended, attaching or removing parts.

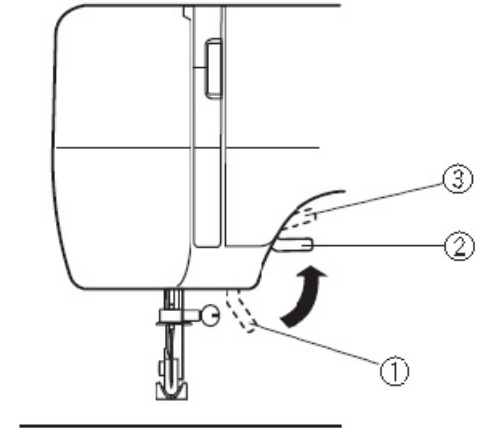
Do not place anything on the foot control causing the machine to run inadvertently.

## Presser Foot Lifter

The presser foot lifter raises and lowers the presser foot. It can be raised 1/4" higher than the normal up position for easy removal of the presser foot or for ease of placement of heavier material.

### Presser Foot Positions

1. Lowest
2. Normal
3. Highest



## Changing Presser Foot

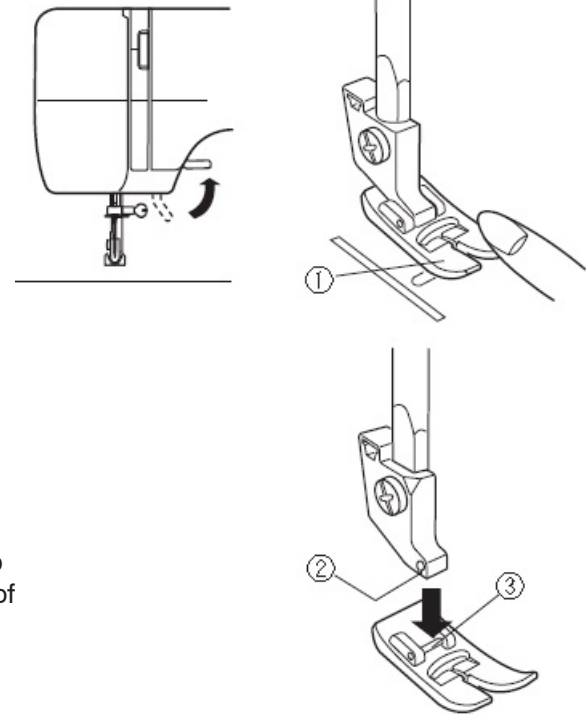
**CAUTION:** When removing or attaching presser foot, turn the power switch to OFF.

### Remove:

1. Turn the handwheel toward you to raise the needle bar to its highest position.
2. Raise the presser foot.
3. Push down on the toe of the presser foot (1) to snap it off the foot holder.

### Attach:

1. Place the presser foot so that the pin (3) on the foot lines up directly below the groove (2) of the foot holder.
2. Lower the foot holder to lock the foot in place.

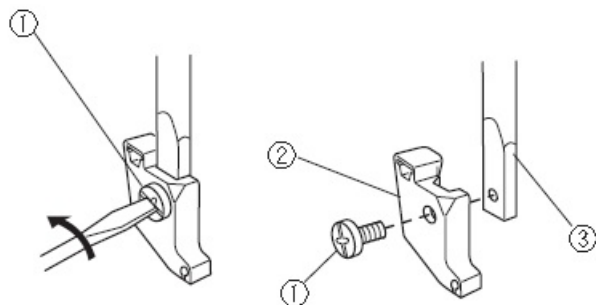


### Foot Holder

**Remove:**  
Remove the thumb screw (1) by turning it counterclockwise with a screwdriver.

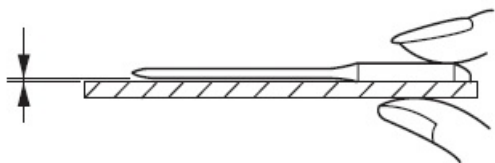
**Attach:**

1. Match the hole in the foot holder (2) with the threaded hole in the presser bar (3).
2. Fit the thumb screw (1) into the hole.
3. Tighten the screw by turning it clockwise with screwdriver.



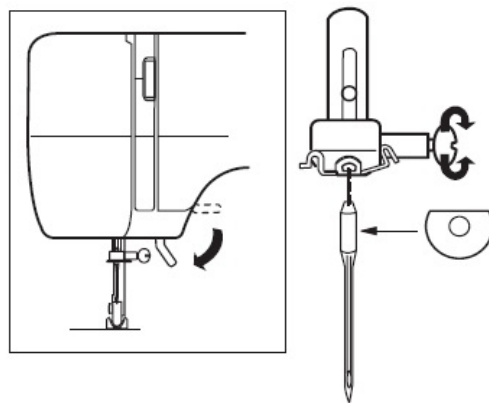
### Needles

Before changing needles, confirm that they are not bent or warped. Place the flat side of the needle on something flat (needle plate, glass etc.). The clearance between the needle and flat surface should be consistent. Never use a bent or blunt needle.



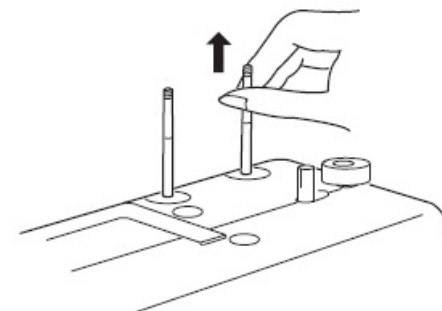
**Changing:**

1. Raise the needle by turning the handwheel toward you.
2. Lower the presser foot.
3. Loosen the needle clamp screw by turning it counterclockwise.
4. Remove the needle from the clamp.
5. Insert the new needle into the clamp with the flat side away from you.
6. Push it up as far as it will go and tighten the clamp screw firmly with the screwdriver.



### Spool Pins

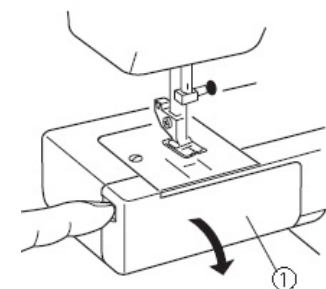
The spool pins are used for holding the spool of thread in order to feed it to the machine. To use, pull the spool pin up. Push down to store.



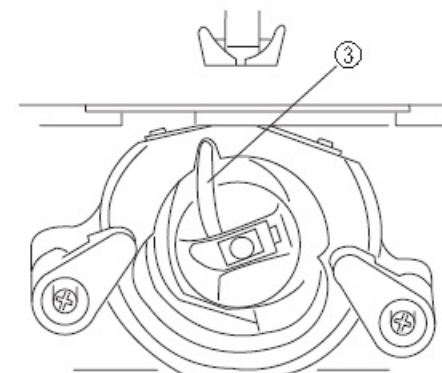
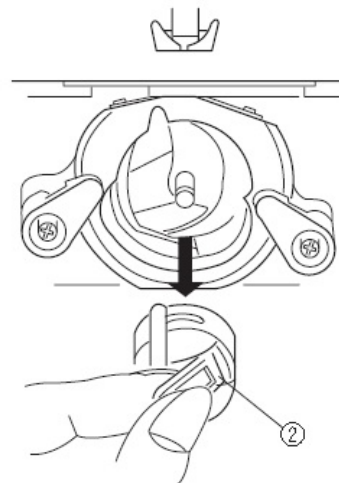
### Bobbin Case

Inserting or removing:

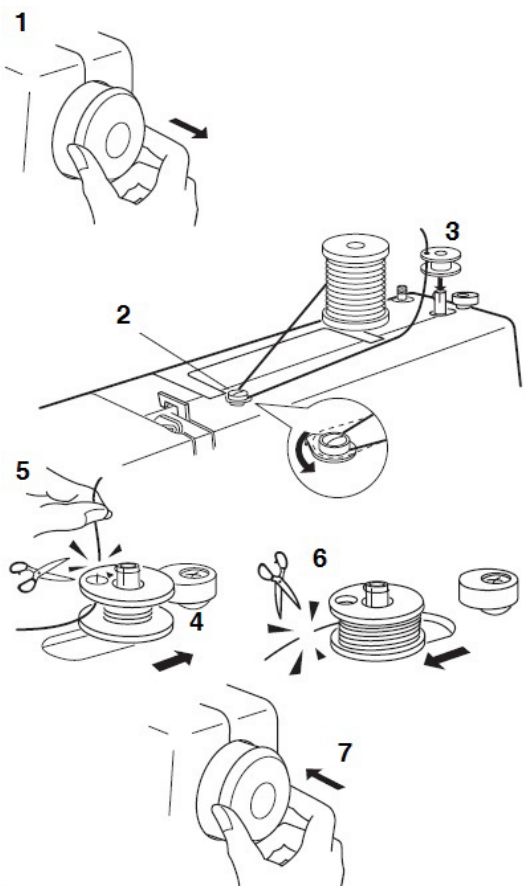
Open hook cover (1).



Raise the needle by turning the handwheel toward you. Take out the bobbin case by holding the latch (2). Insert the bobbin case by placing the horn (3) into the recess of the hook race.



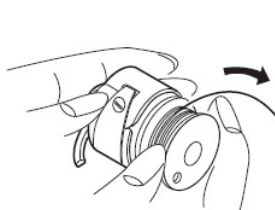
### Bobbin Winding



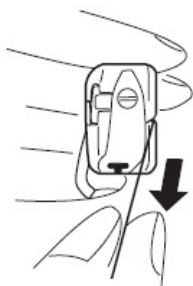
1. Pull the handwheel (1) out.
2. Draw the thread from the spool and guide the thread around the bobbin winder thread guide (2).
3. Insert the thread through the hole in the bobbin (3) from the inside to the outside. Put the bobbin on the bobbin winder spindle.
4. Push it to the right.
5. With the free end of the thread held in your hand, depress the foot control. Stop the machine when it has made a few turns and cut the thread (5) close to the hole in the bobbin.
6. Depress the foot control again. When the bobbin (6) is fully wound, stop the machine. Return the bobbin winder spindle to its original position by moving the spindle to the left, and cut the thread.
7. Push the handwheel (7) back into the original position.

**Note:** Return the bobbin winder spindle when the machine stops.

### Bobbin Case Threading



Place the bobbin into the bobbin case. Make sure the thread unwinds in the direction of arrow.



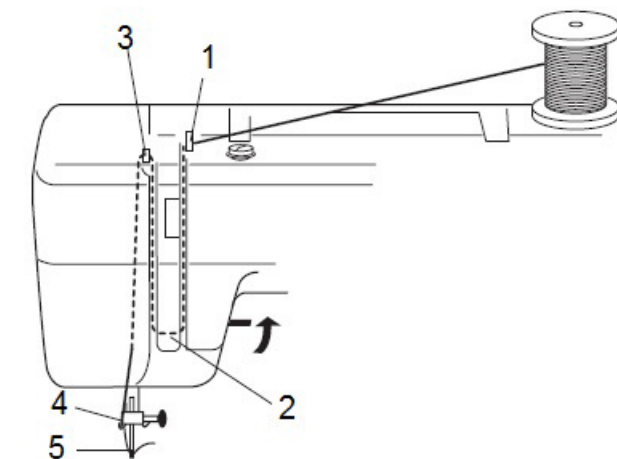
Pull the thread into the bobbin case slot.



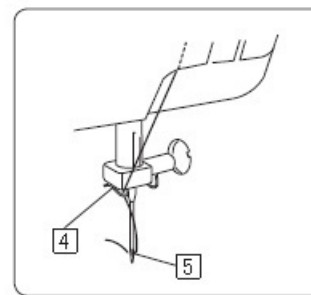
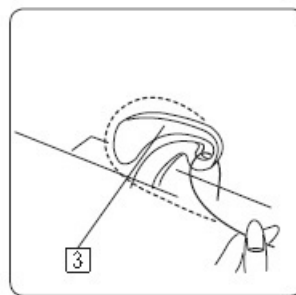
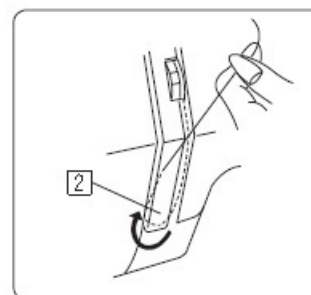
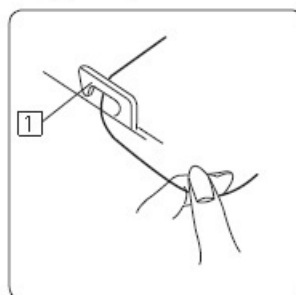
Draw the thread under the tension spring and into the delivery eye, leaving about 4" of free thread.

### Threading the Machine

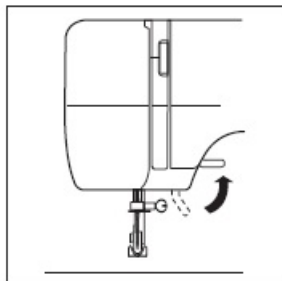
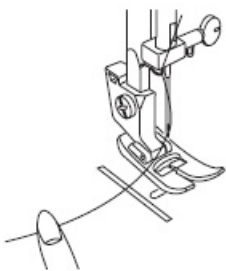
First, raise the take-up lever to its highest position by turning the handwheel toward you. Next, raise the presser foot. Then place a spool on the spool pin as shown, with thread coming from back of the spool.



1. Draw the thread into thread guide (1) using both hands.
2. While holding the thread near spool, draw thread down into the tension area and then around the check spring holder (2).
3. Firmly draw the thread up and through the take-up lever (3) from right to left.
4. Then draw the thread down and slip it into needle bar thread guide (4) on the left.
5. Thread the needle eye (5) from front to back.

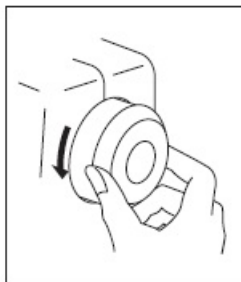
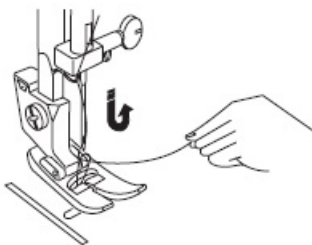


**Drawing Up Bobbin Thread**

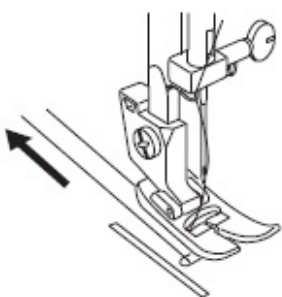


Raise the presser foot and hold the needle thread lightly with your left hand.

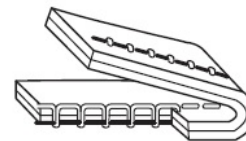
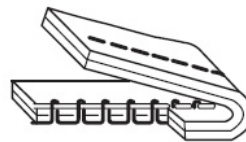
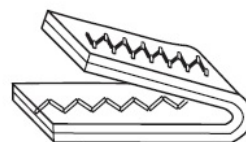
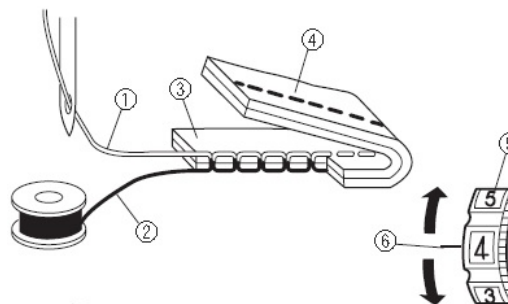
Turn the handwheel slowly toward you with your right hand until the needle goes down and continue turning the handwheel until the take-up lever is at its highest position. Lightly draw up the needle thread forming a loop of the bobbin thread.



Pull 6" of both threads back and under the presser foot.



**Thread Tension Dial**



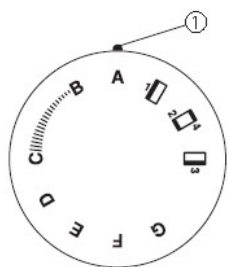
**Correct tension:**  
The thread tension is adjusted depending on the sewing materials, layers of fabric and sewing method. For an ideal zigzag stitch, the bobbin thread does not show on the right side (top side) of the fabric, and the needle thread shows slightly on the wrong side (bottom side) of the fabric.

- (1) Needle thread (Top thread)
- (2) Bobbin thread (Bottom thread)
- (3) Right side (Top side) of fabric
- (4) Wrong side (Bottom side) of fabric
- (5) Thread tension dial
- (6) Setting mark

**Tension too tight:**  
When the bobbin thread (2) (bottom thread) appears on the right side (3) (top side) of the fabric, loosen the needle thread tension by moving the dial (5) to a lower number.

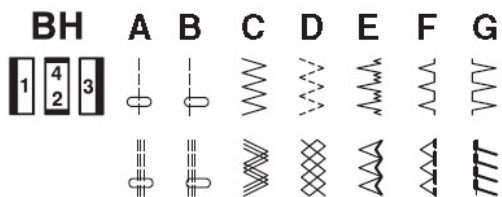
**Tension too loose:**  
When the needle thread (1) (top thread) appears on the wrong side (4) (bottom side) of the fabric, tighten the needle thread tension by moving the dial (5) to a higher number.

### Stitch Selector Dial



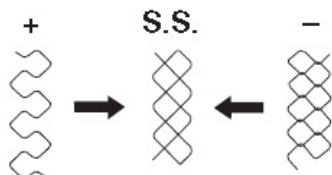
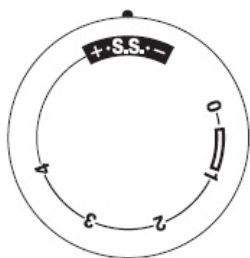
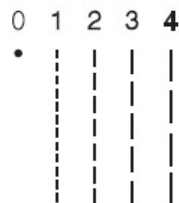
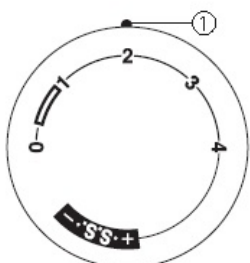
Turn the stitch selector dial to set the setting mark (1) with the symbol corresponding to the desired pattern.

**CAUTION:** To avoid needle or fabric damage, make sure the needle is up and out of the fabric while selecting a stitch.

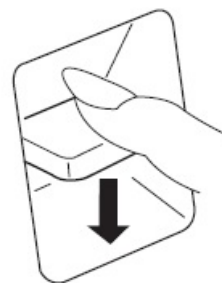


### Stitch Length Dial

- Turn the stitch length dial to set the setting mark (1) with the desired stitch length. The higher the number, the longer the stitch length.
- Adjust the dial in the 0.5-4 range when you sew the zigzag stitch.
- Set the dial at "S.S." to sew the stretch stitch pattern sewing.
- If the stretch stitch pattern is uneven, turn the stitch length dial in the direction of "-" to compress it, or "+" to expand it.



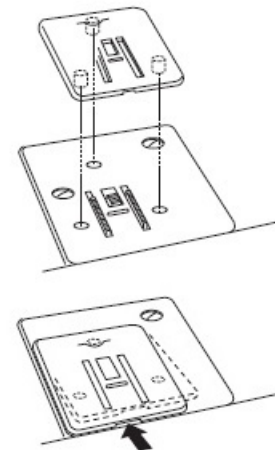
### Reverse Stitch Button



To sew in reverse, keep the reverse stitch button depressed.

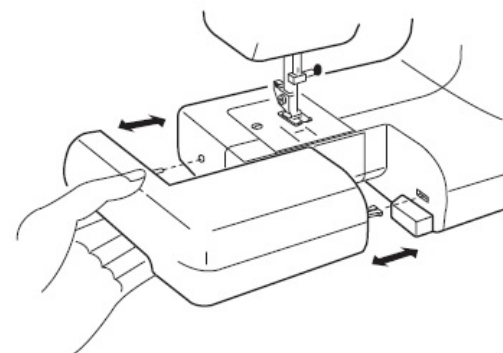
### Darning Plate

Position the darning plate with 3 pins on the bottom. Fit the darning plate pins into the needle plate holes. The feed dogs will show through the darning plate holes.



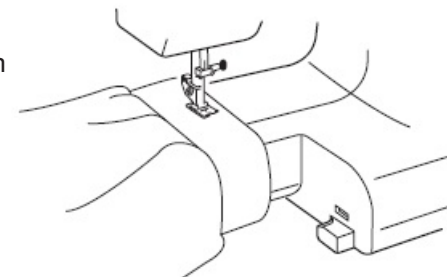
### Extension Table

The extension table provides added sewing surface and can be easily removed for free arm sewing by pulling the table away from the machine.



### Free Arm Sewing

Avoid fabric bunching around the needle when bartacking to reinforce pockets, plackets and waistlines. For stitching sleeves, waistbands, pant legs or any circular garment area. For darning socks or mending knees, elbows or areas of wear in children's clothes.

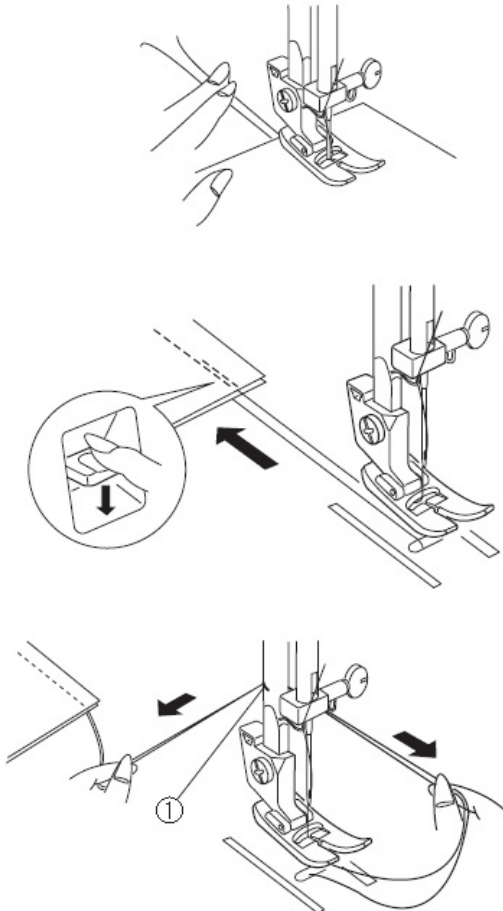
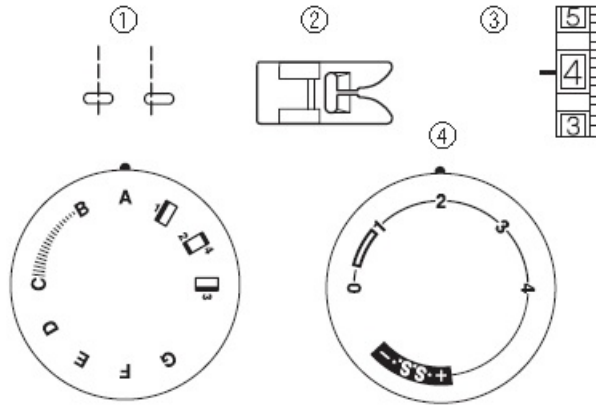




## Basic Sewing

### Straight Stitch

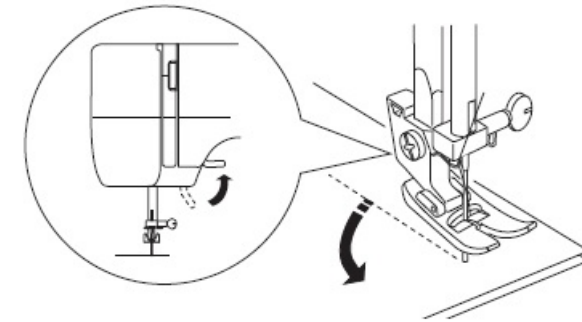
- (1) Pattern selector: A or B
- (2) Presser foot: Zigzag foot
- (3) Thread tension: 2–6
- (4) Stitch length: 1.5–4



1. Raise the presser foot and position the fabric with its edge lining up with a seam guide line on the needle plate.
2. Lower the needle into the fabric.
3. Lower the presser foot and smooth the threads toward the back.
4. Depress the foot control.
5. Gently guide the fabric along the guide line letting the fabric feed by itself.
  - For fastening the end of seams, press the reverse stitch lever and sew several reverse stitches.
6. Raise the presser foot and remove the fabric, drawing the threads to the back.
7. Cut the threads with the thread cutter (1).
  - The threads are now the right length to begin sewing the next seam.

## Changing Direction

1. Stop the machine and turn the handwheel toward you to bring the needle down into the fabric.
2. Raise the presser foot.
3. Pivot the fabric around the needle to change sewing direction as desired.
4. Lower the presser foot and continue sewing.

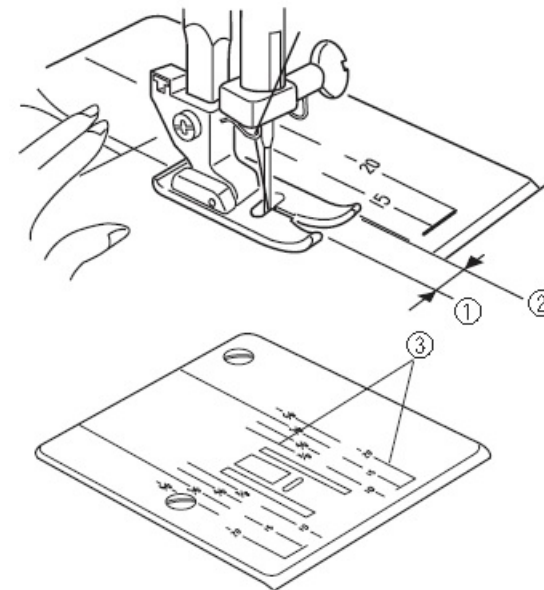


## Seam Guidelines

The numbers on the needle plate indicate the distance between the center needle position and the guideline.

The numbers in front are centimeters and on back are fractions of an inch.

Number	15	20	4/8	5/8	6/8
Distance (in.)	19/32	25/32	33/64	5/8	3/4

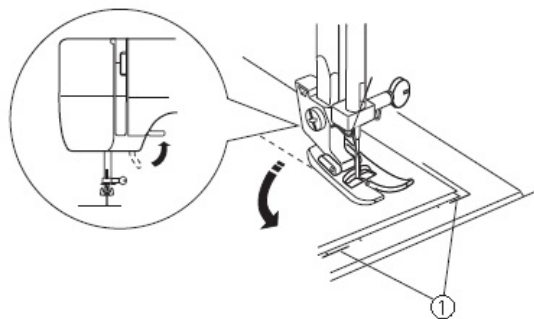


- (1) Center needle position
- (2) Guidelines
- (3) Numbers

## Turning a Square Corner

To turn a square corner 5/8" (1.6 cm) from the fabric edge.

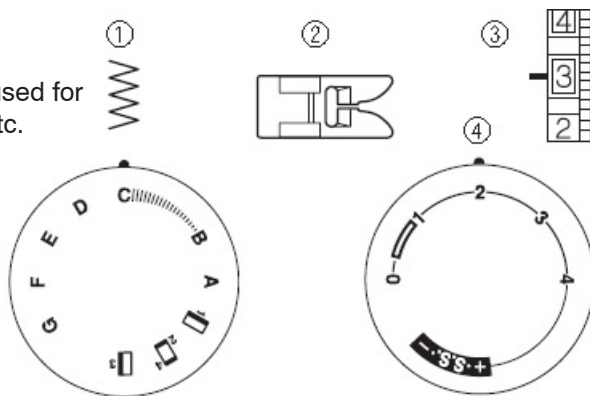
1. Stop stitching and lower the needle by turning the handwheel counterclockwise.
2. Raise the presser foot and turn the fabric to line the edge with the 5/8" (1.6 cm) seam guide.
3. Lower the presser foot and begin stitching in the new direction.
4. Line up the fabric edge facing you with the cornering guide (1) shown.



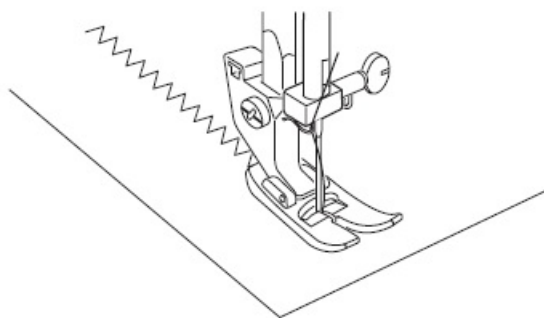
## Zigzag Stitch

Simple zigzag stitching is widely used for overcasting, sewing on buttons, etc.

- (1) Pattern selector: C
- (2) Presser foot: Zigzag foot
- (3) Thread tension: 2–5
- (4) Stitch length: 0.5–4



Turn the pattern selector between the zigzag stitch (C) and straight stitch (left position) (B) to adjust the stitch width.

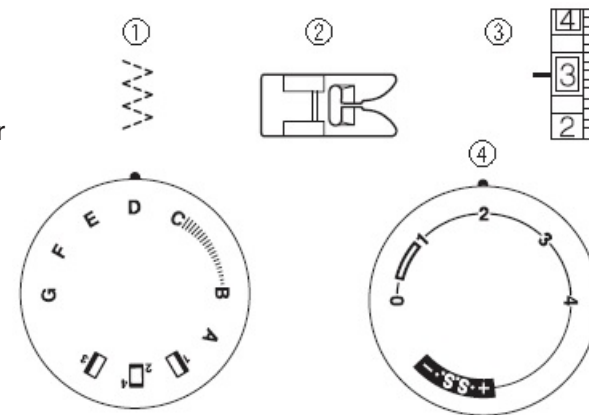


## Utility Stitching

### Tricot Stitch

This stitch is used to finish the raw edge on synthetics and other fabrics that tend to pucker.

- (1) Pattern selector: D
- (2) Presser foot: Zigzag foot
- (3) Thread tension: 1–4
- (4) Stitch length: 0.5–4



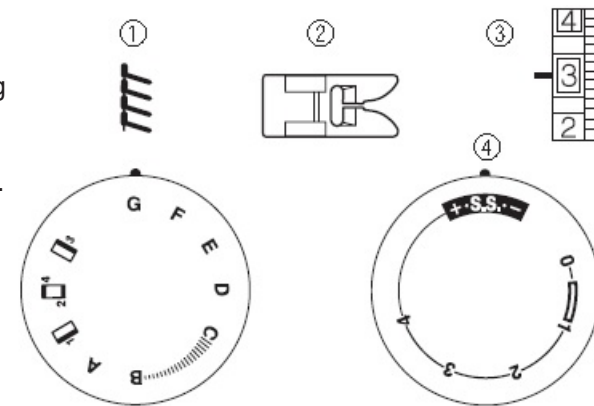
Place your fabric to allow a 1.6 cm (5/8") seam. Trim the seam allowance after sewing. Be careful not to cut the stitches.



### Knit Stitch

This knit stitch is ideal for sewing swimwear and stretch velour because it provides the greatest amount of elasticity and strength.

- (1) Pattern selector: G
- (2) Presser foot: Zigzag foot
- (3) Thread tension: 1–4
- (4) Stitch length: S.S.

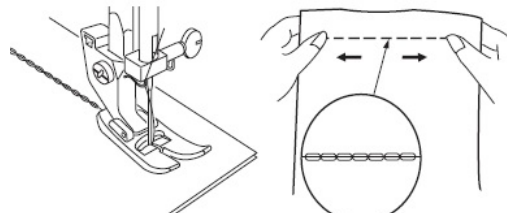
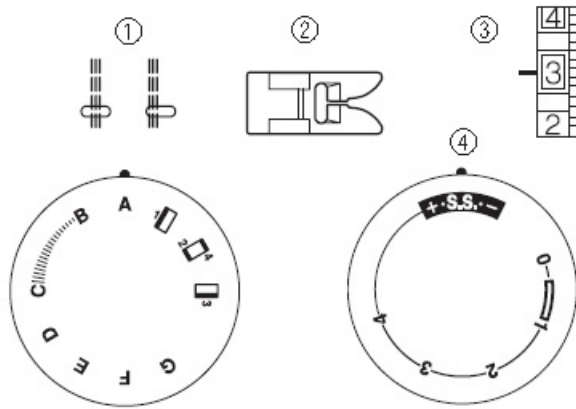


Place your fabric to allow a 1.6 cm (5/8") seam. Trim the seam allowance after sewing. Be careful not to cut the stitches.



## Straight Stitch

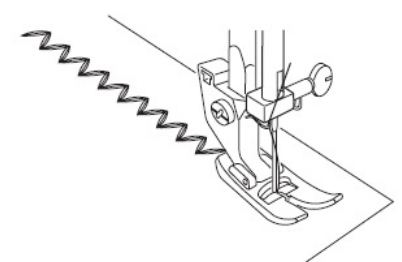
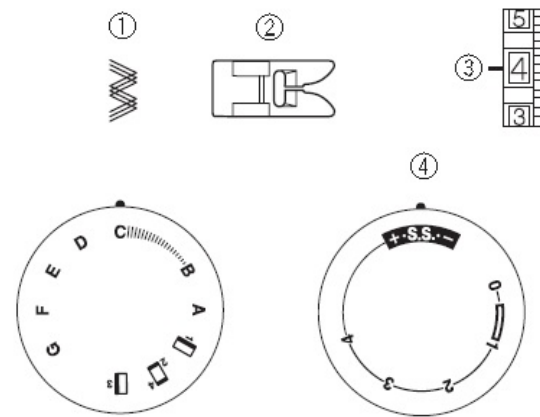
- (1) Pattern selector: A
- (2) Presser foot: Zigzag foot
- (3) Thread tension: 2-6
- (4) Stitch length: S.S.



This strong, durable stitch is recommended where both elasticity and strength are necessary to ensure comfort and durability. Use it to reinforce areas such as crotch and armhole seams as well as to eliminate puckering on knits and stretch fabrics. Also use when constructing items requiring extra strength such as backpacks.

## Rick-Rack Stitch

- (1) Pattern selector: C
- (2) Presser foot: Zigzag foot
- (3) Thread tension: 2-6
- (4) Stitch length: S.S.

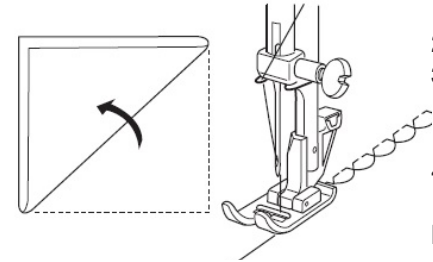
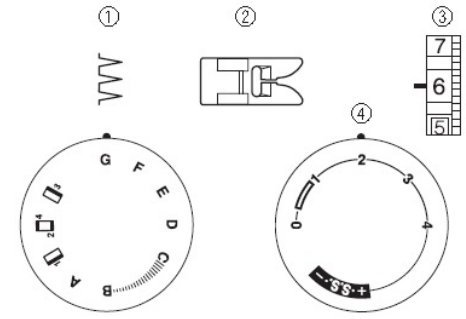


Sew on stretch fabrics in any area that you might use a zigzag stitch. This stitch is also used as a decorative topstitch.

## Decorative Stitching

### Shell Tuck

- (1) Pattern selector: G
- (2) Presser foot: Zigzag foot
- (3) Thread tension: 6-8
- (4) Stitch length: 2-3

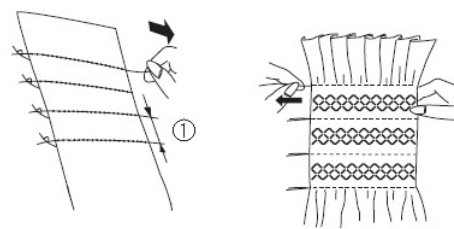
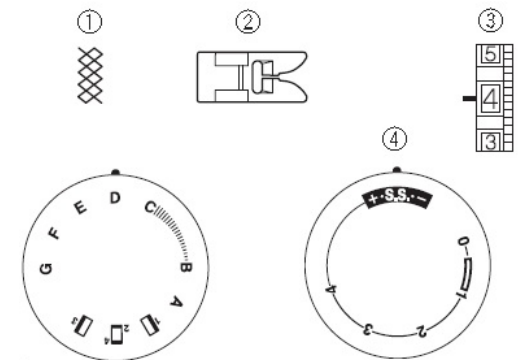


1. Use a lightweight fabric (tricot, for example).
2. Fold and stitch on the bias.
3. When the needle swings to the right, allow the needle to just clear the folded edge of the fabric.
4. After stitching, open the fabric and iron press the tucks flat to one side.

**Note:** Increase the needle thread tension to form prominent tucks.

### Smocking

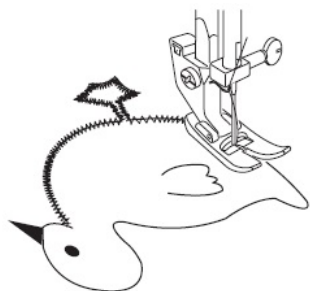
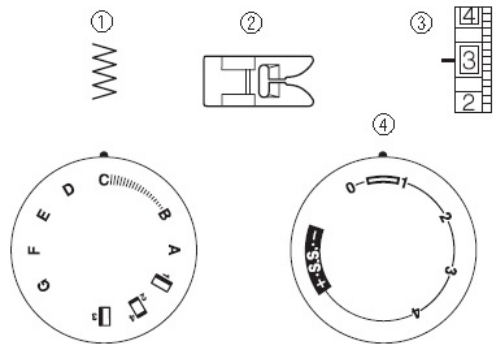
- (1) Pattern selector: D
- (2) Presser foot: Zigzag foot
- (3) Thread tension: 1-4
- (4) Stitch length: S.S.



1. With the stitch length at "4," sew straight stitching lines (1) 1 cm (3/8") apart, across the area to be smocked.
2. Knot the threads along one edge.
3. Pull the bobbin threads and distribute the gathers evenly.
4. Secure the threads at the other end.
5. Sew the decorative stitch between the gathering stitches.
6. Pull out the gathering stitches.

## Appliqué

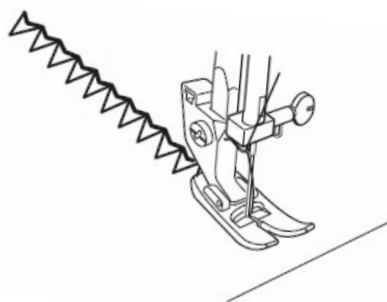
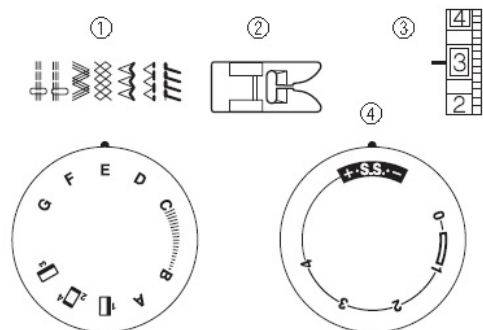
- (1) Pattern selector: C
- (2) Presser foot: Zigzag foot
- (3) Thread tension: 1–4
- (4) Stitch length: 0.5–1



1. Baste (or fuse with iron-on fabric joiner) appliqué pieces on the fabric.
2. Stitch around the appliqué making sure the needle falls along the outer edge of the appliqué.
3. When sewing corners, lower the needle down into the fabric.
4. Raise the presser foot and pivot the fabric to the right or left.

## Stretch Stitch Patterns

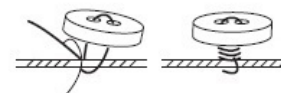
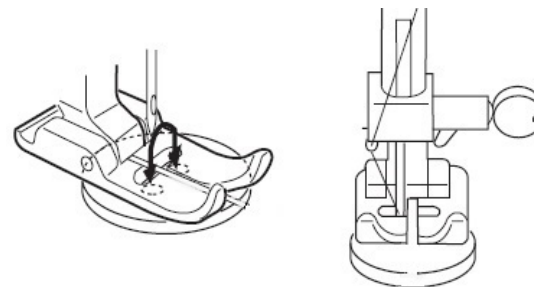
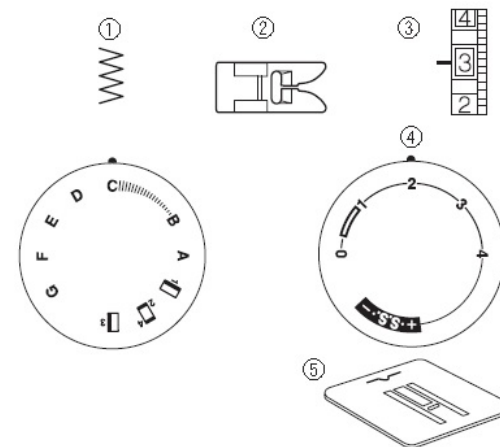
- (1) Pattern selector: A-G
- (2) Presser foot: Zigzag foot
- (3) Thread tension: 1–4
- (4) Stitch length: S.S.



If forward and reverse feeds become unbalanced due to the type of fabric, adjust the balance by turning the stitch length dial as follows:  
 If patterns are compressed, turn dial toward "+".  
 If patterns are drawn, turn the dial toward "-".

## Sewing Buttons

- (1) Pattern selector: C
- (2) Presser foot: Zigzag foot
- (3) Thread tension: 3–7
- (4) Stitch length: Any
- (5) Darning plate

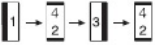

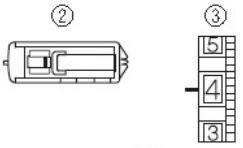



1. Attach the darning plate.
2. Match the holes in the button with the horizontal slot on the presser foot.
3. Adjust the stitch width matching the distance of the holes in the button.
4. Lower the foot to hold the button in place.
5. Check to see if the needle enters into the holes in the button by manually turning the handwheel.
6. Sew about ten (10) stitches.

To strengthen the shank:

1. Cut the threads leaving about 4.0" (10.0 cm).
2. Bring the needle thread down through one of the holes in the button and wind it around the shank.
3. Bring the needle thread to the wrong side (bottom side) and knot.
4. After button sewing is completed, remove the darning plate.

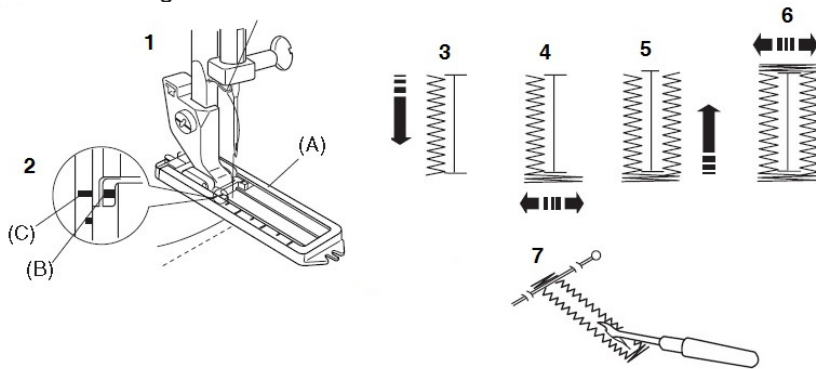
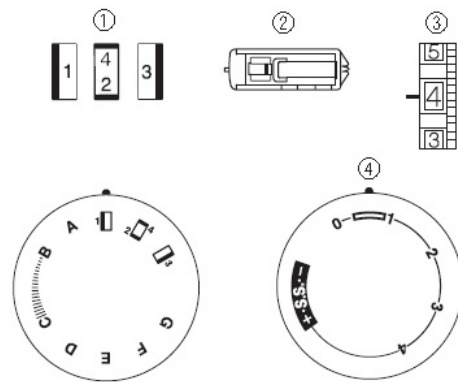
## Buttonhole

- (1) Pattern selector: 
- (2) Presser foot: Sliding buttonhole foot 
- (3) Thread tension: 1-5 
- (4) Stitch length: 

Make a test buttonhole on a sample using the same fabric, interfacing and seams of the actual garment.

- Place the button on the fabric sample and mark the top and bottom to determine the position of the buttonhole.

- Use interfacing on stretch fabrics.



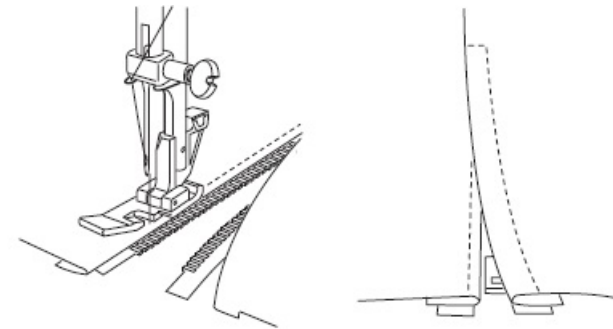
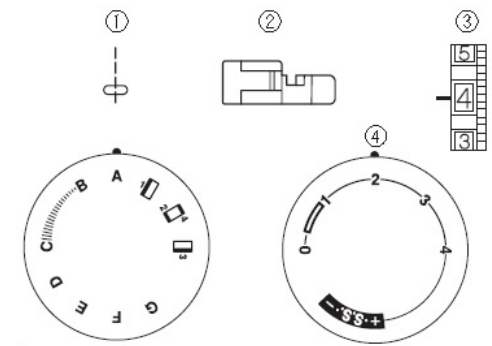
1. Carefully mark buttonhole length on fabric. Place the fabric under the foot with the buttonhole marking running toward you.
2. Move the slider (A) toward you so that the top mark (C) on the slider meets the start mark (B). Line up the markings on the foot with the top mark on the fabric.

**Note:** The scale on the slider is engraved in centimeters.

3. Set the pattern selector dial at "1". Sew forward until you reach the front marking of your buttonhole. Stop sewing at a left stitch.
4. Set the pattern selector dial at "2". Sew 5 stitches. Stop sewing at a right stitch.
5. Set the pattern selector dial at "3". Sew until you reach the back marking of the buttonhole. Stop sewing at a right stitch.
6. Set the pattern selector dial at "4". Sew a few bartacks and raise the needle from the fabric. Set the pattern selector dial to straight stitch. Sew a few locking stitches.
7. Remove the fabric from the machine and cut the sewing thread. Insert a pin inside the bartack. Then cut the opening with a seam ripper. Take care not to cut the stitches.

## Zipper Application

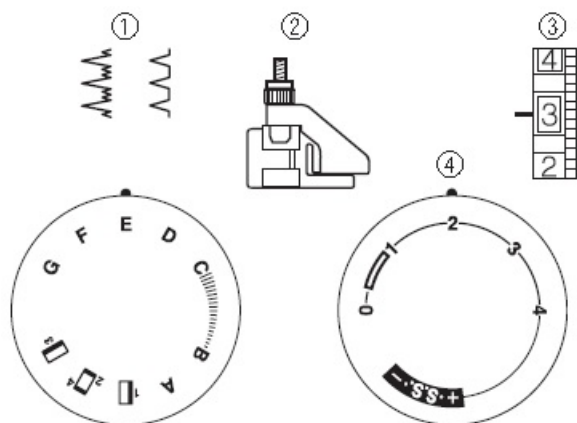
- (1) Pattern selector: A
- (2) Presser foot: Zipper foot
- (3) Thread tension: 2-6
- (4) Stitch length: 1.5-4



1. Pin or tack stitch zipper tape to fabric and place it under the foot.
2. Smooth the threads toward the back and lower the foot.
3. To sew the left side of the zipper, guide the zipper teeth along the edge of the foot and stitch through the garment and zipper tape.
4. Turn the fabric and sew the other side of the zipper in the same way as you did the left side.

## Blind Hem Stitch

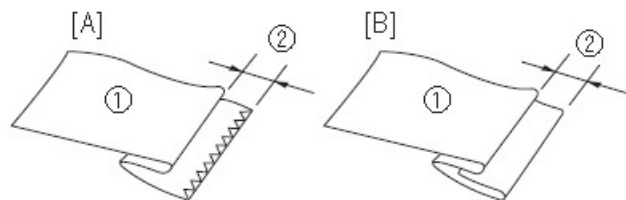
- (1) Pattern selector: E or F
- (2) Presser foot: Blind hem foot
- (3) Thread tension: 1–3
- (4) Stitch length: 1–3



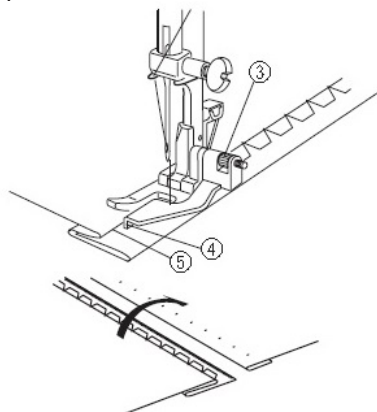
[A] - Heavyweight fabrics; [B] - Fine or medium weight fabrics

(1) Wrong side of the fabric

1. Fold the hem (2) leaving 1/4" (0.7 cm) of the hem edge showing.
2. Position the fabric so that the needle at its leftmost position just pierces the edge of the fold.



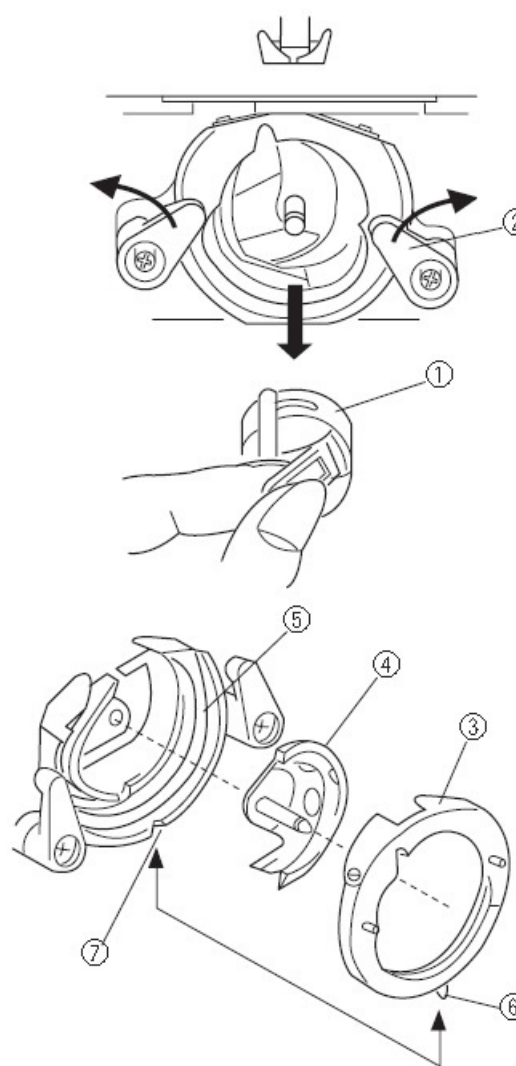
3. Turn the guide screw (3) to adjust the guide (4) aligning the folded edge (5).
4. Sew along the folded edge guiding the fabric so the needle catches the folded edge.
5. After hemming is complete, press together both sides of the finished hem. The top side of the fabric should show only the blind stitches.



## Cleaning the Bobbin Case and the Hook

**WARNING:** Turn the power switch to OFF and unplug the machine before dismantling or cleaning the machine.

**WARNING:** Do not dismantle the machine other than as explained in this section.



### Dismantling Shuttle Race Unit

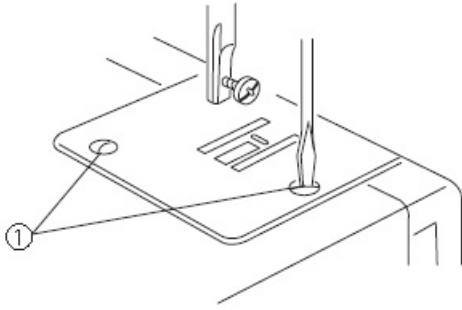
1. Raise the needle to its highest position and open the hook cover.
2. Open the hinged latch of bobbin case (1) and take it out of the machine.
3. Push the shuttle race levers (2) aside and remove the shuttle race ring (3).
4. Remove the shuttle (4).
5. Clean the shuttle race (5) with a brush and a soft dry cloth.

### Assembling Shuttle Race Unit

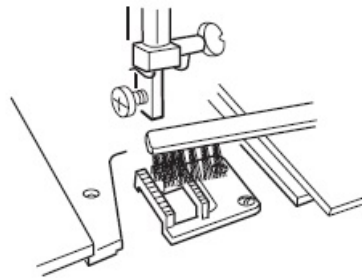
1. Hold the shuttle (4) by the center pin and fit it carefully back into the shuttle race (5), forming a perfect circle with the shuttle driver.
2. Attach the shuttle race ring (3) making sure the bottom pin (6) fits into the notch (7).
3. Lock the shuttle race ring (3) by turning the holders back into position.
4. Insert the bobbin case (1).

### Cleaning the Feed Dog

**WARNING:** Turn the power switch to OFF and unplug the machine before dismantling or cleaning the machine.



1. Remove the needle and presser foot.
2. Remove the needle plate setscrews (1).
3. Remove the needle plate.
4. Use a brush to clean out any dust and lint clogging the feed dog teeth.

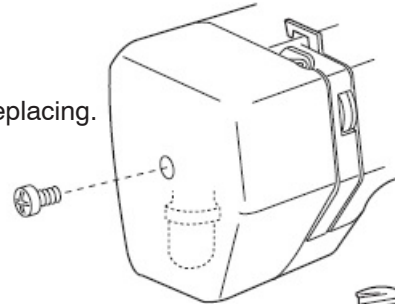


### Replacing the Light bulb

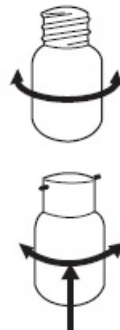
**WARNING:** Turn the power switch to OFF and unplug the machine before dismantling or cleaning the machine.

**CAUTION:** Wait for light bulb to cool before replacing.

The sewing light is located behind the face cover. To change the bulb take the face cover off the sewing machine by removing the setscrew.



To remove: Push and turn to the left.  
To replace: Push and turn to the right.



- In general, fine threads and needles are used for sewing thin fabrics, and thicker threads and needles are used for sewing heavy fabrics.
- Always test thread and needle size on a small piece of the fabric which will be used for actual sewing.
- Use the same thread for needle and bobbin.
- When sewing stretch, very fine fabrics and synthetics, use a BLUE TIPPED needle.
- The blue tipped needle effectively prevents skipped stitches.

	Fabrics	Thread	Needle Size
Light weight	Crepe de Chine, Voile, Lawn, Organdy, Georgette, Tricot	Fine Silk, Fine Cotton, Fine Synthetic, Fine Cotton Covered Polyester	9 or 11
Medium weight	Linens, Cotton, Piqué, Serge, Double Knits, Percale	50 silk 50 to 80 Cotton 50 to 60 Synthetic Cotton Covered Polyester	11 or 14
Heavy weight	Denim, Tweed, Gabardine, Suiting, Drapery and Upholstery Fabric	50 silk 40 to 50 Cotton 40 to 50 Synthetic Cotton Covered Polyester	14 or 16

# Troubleshooting

This page is intentionally left blank

Problem	Possible Cause	Reference
Needle thread breaks.	Needle thread is not threaded properly. Needle thread tension is too tight. Needle is bent or blunt. Needle is incorrectly inserted. Needle thread and the bobbin thread are not set properly under the presser foot at the beginning of sewing. Fabric is not drawn to the rear when sewing has finished. Thread is too heavy or too fine for the needle.	Page 11 Page 13 Page 8 Page 8 Page 16-17 Page 16-17 Page 29
Bobbin thread breaks.	Bobbin thread is not threaded properly in the bobbin case and shuttle. Lint has collected in the shuttle area. Bobbin is damaged and doesn't turn smoothly.	Page 10 Page 27 Change bobbin
Needle breaks.	Needle is incorrectly inserted. Needle is bent or blunt. Needle clamp screw is loose. Needle thread tension is too tight. Fabric is not drawn to the rear when sewing has finished. Needle is too fine for the fabric being sewn.	Page 8 Page 8 Page 8 Page 13 Page 16-17 Page 29
Skipped stitches	Needle is incorrectly inserted. Needle is bent or blunt. Needle and/or threads are not suitable for work being sewn. A blue tipped needle is not being used for sewing stretch, very fine fabrics and synthetics. Needle thread is not threaded properly. Wrong needle is being used.	Page 8 Page 8 Page 29 Page 29 Page 11 Change needle
Seam puckers	Needle thread tension is too tight. Needle thread is not threaded properly. Needle is too heavy for the fabric being sewn. Stitch length is too long for the fabric.	Page 13 Page 11 Page 29 Make stitch shorter
Cloth is not feeding smoothly	Feed dog is packed with lint. Stitches are too fine.	Page 28 Make stitch longer
Machine doesn't work	Machine is not plugged in. Thread is caught in the shuttle race.	Page 6 Page 27
Noisy operation	Thread caught in the shuttle race. Lint has built up in the shuttle or the shuttle race.	Page 27 Page 27



## Returns

If any item, for any reason, does not meet your expectations, just return it to us. We'll gladly either:

- Refund your merchandise amount
- Credit your account
- Send a replacement

You can return any unused item in its original packaging within 60 days of its receipt for a full refund of the purchase price (excluding shipping and handling charges).

**Please send returns to:**

**Montgomery Ward, Inc.  
Attn: Customer Returns  
2000 Harrison Suite 100  
Clinton, IA 52732-6676**

**When returning an item:**

- Use the original packaging and pack it securely.
- Please adequately insure your item in case you need to make a claim with the carrier you choose for returning your item.
- Include your order number and reason for return.
- We recommend keeping the receipt for 4 weeks.



### 1 Year Limited Warranty

Montgomery Ward, Inc. warrants this product to be free from defects in material and workmanship for one year from provable date of purchase.

Within this warranty period, Montgomery Ward will repair or replace, at its option, defective parts of this product at no charge, provided the product is returned, freight prepaid with proof of purchase to Montgomery Ward. Allow 2-4 weeks for return shipping.

This warranty does not cover improper installation, misuse, abuse or neglect on part of the owner. Warranty is also invalid in any case that the product is taken apart or serviced by an unauthorized service station.

This warranty gives you specific legal rights and they may vary from state to state.

THE FOREGOING WARRANTIES ARE IN LIEU OF ALL OTHER WARRANTIES AND CONDITIONS, EXPRESS OR IMPLIED, INCLUDING BUT NOT LIMITED TO THOSE OF MERCHANTABILITY OR FITNESS FOR A PARTICULAR PURPOSE.

Montgomery Ward Customer Service  
8:00 am to Midnight CST, Monday through Friday

**Wards.com 1-888-557-3848**