

Chef
TESTED ✓

by **Montgomery Ward**®

Chef
TESTED ✓

by **Montgomery Ward**®

Lightweight
and versatile
for game room
or extra cold
storage

2.7 cu. ft. Mini Fridge



Instruction Manual

MODEL: FR27
120V~, 60Hz, 110W

Montgomery Ward Customer Service
3650 Milwaukee Street, Madison, WI 53714
8:00 am to Midnight, Monday through Friday

Wards.com 1-888-557-3848

Wards.com 1-888-557-3848



Chef TESTED ✓

by **Montgomery Ward®**

Thank you for purchasing your Chef Tested 2.7 cu. ft. Mini Fridge by Montgomery Ward. Put through the paces by the experts, we guarantee that it will perform to the highest standard, time after time, with all the convenience, easy clean-up and durability you rely on from Wards.

Your new, sturdy fridge is great for chilling out in the man cave, master bedroom, converted basement, office break room or dorm. It holds everything from soda, bottled water, beer and wine coolers to dips, veggies, cheese and meat snacks. And its light weight makes it easy to move to the kitchen during holidays for extra cold storage.

Table of Contents

Important Safeguards.....	3-5
Parts & Features.....	5
Installation	6-7
Cleaning & Care	8
Helpful Hints	9
Reversing Door Swing.....	10
Maintenance	11
Troubleshooting	12-13
Warranty & Return Information.....	13-14

PLEASE SAVE THESE INSTRUCTIONS
THIS APPLIANCE IS FOR HOUSEHOLD USE ONLY

© 2013 Montgomery Ward, Inc. All rights reserved.

Important Safeguards

PLEASE READ THESE INSTRUCTIONS BEFORE USE

When using any electrically powered product, basic safety precautions should always be followed, including the following:

Danger: Risk of child entrapment. Before you throw away your old refrigerator or freezer:

- Take off the door
- Leave the shelves in place so that children may not easily climb inside

WARNING: To reduce the risk of fire, electrical shock or injury to persons or property:

1. Always operate the product from a power source of the same voltage, frequency and rating as indicated on the product identification plate.
2. Close supervision is necessary when the product is used by or near children or infirm persons. Do not allow children to use as a toy.
3. Do not operate any product with a damaged cord or plug, or after the product malfunctions, or is dropped, or appears damaged in any way. Return the complete product to the place of purchase for inspection, repair or replacement.

IF PRESSURIZED AEROSOL CONTAINERS BEAR THE WORD 'FLAMMABLE' AND/OR A SMALL FLAME SYMBOL, DO NOT STORE THEM INSIDE THE REFRIGERATOR. THERE IS A RISK OF AN EXPLOSION.

4. Improper installation, adjustment, alteration, service or maintenance can cause injury or property damage. Refer to this manual. For assistance or additional information consult a qualified installer or service agent.
5. Maintain ventilation clearance a minimum of 2 inches behind the fridge and keep free of obstructions.
6. Do NOT use mechanical devices or other means to accelerate the defrosting process, other than those recommended by the manufacturer.
7. Do NOT use electrical appliances inside the food storage compartments of the appliance, unless they are the type recommended by the manufacturer.
8. To reduce the risk of electrical shock, do not immerse or expose the product or flexible cord to rain, moisture or any other liquid other than water used to make ice cubes in the tray.
9. This product should not be used in the immediate vicinity of water, such as a bathtub, washbowl, swimming pool, etc. where the likelihood of immersion or splashing could occur.

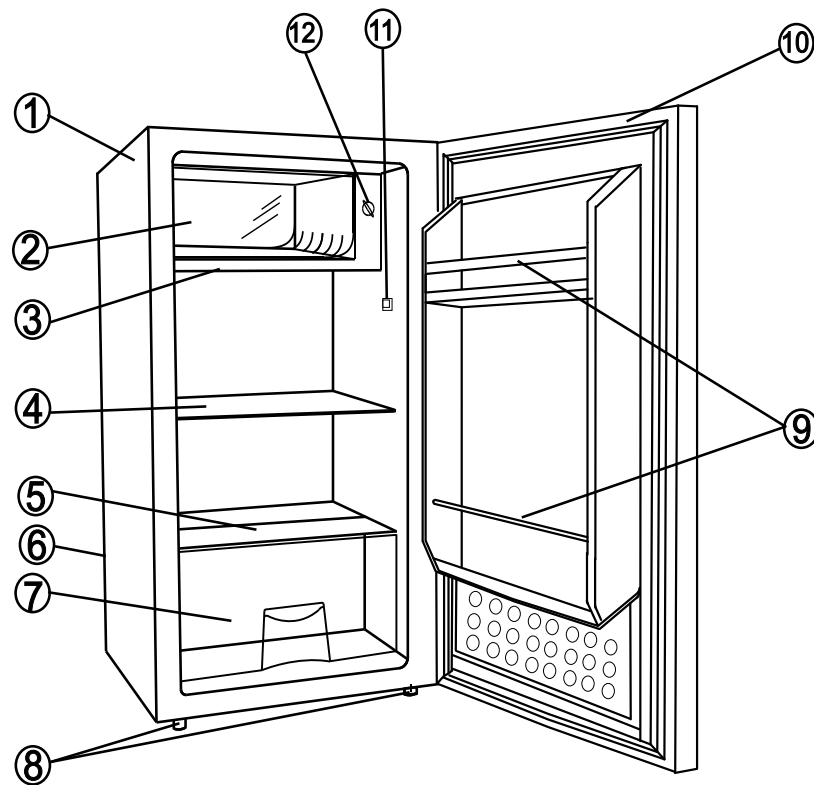
Important Safeguards (cont'd)

10. Never install the unit where it could be subject to:
 - Heat sources such as radiators, heat registers, stoves or other products that produce heat
 - Direct sunlight
 - Excessive dust
 - Mechanical vibration or shock
 - Lack of ventilation, such as bookcase or cabinet
 - Uneven surface
 - Moisture
11. Switch off and unplug from outlet when not in use, before assembling or disassembling parts and before cleaning. Remove from the outlet by grasping the plug—do not pull on the cord.
12. Do NOT place objects on the product or allow objects to obstruct the inlet or outlet openings, or operate in close proximity to walls or curtains, etc. The back of the appliance should be close to the wall but leaving the required distance for ventilation as stated in the installation instructions.
13. Do NOT place naked flame sources, such as candles, on the appliance.
14. Do NOT place vases filled with water on the appliance.
15. Do NOT block any ventilation openings; ensure that vents are NOT covered by newspapers, tablecloths, curtains, etc. Do NOT install in a tight-fitting cabinet.
16. After installation, the appliance should be left for 2 hours before it is switched on in order to allow the refrigerant to settle.
17. Always install the refrigerator on flat and solid surface.
18. Do NOT hang anything on the door in order to avoid the refrigerator from tilting or goods from dropping. Do NOT let children play with the refrigerator or hang on the door.
19. Do NOT store or use gasoline or other flammable vapors and liquids in the vicinity of this or any other appliance.
20. Do NOT extend or fold the power cord. Keep the power cord away from compressor, because the compressor will be hot when the unit operates.
21. The use of attachments or accessories not recommended or sold by the product distributor may cause personal or property hazards or injuries.
22. Do NOT use the refrigerator outdoors. **Indoor use ONLY.**
23. This product is intended for normal domestic/household use only.

Important Safeguards (cont'd)

24. Make old appliances unusable prior to disposal. Pull out the main plug, cut off the main cable, break or remove spring or bolt catches, if fitted. By doing this, you ensure that children cannot lock themselves in the appliance when playing (there is a risk of suffocation!) or get themselves into other dangerous situations.
25. **Compulsory Warning:** Care must be taken when disposing of this appliance in order to avoid a hazard. When you dispose of refrigerators or freezers, remove any doors. Children can suffocate if they become locked inside.

Parts & Features



- | | |
|-----------------------------|------------------------------|
| 1. Cabinet | 7. Crisper box |
| 2. Freezer Compartment Door | 8. Leveling Legs |
| 3. Drip Tray | 9. Bottle Racks |
| 4. Shelves | 10. Recessed Handle |
| 5. Glass cover | 11. Door switch |
| 6. Compressor (back) | 12. Temperature Control Knob |

Before using the refrigerator, remove all the exterior and interior packaging. To ensure correct operation, this appliance must not be located where the temperature will be below 50° F or rise above 110° F.

Good ventilation

For the purpose of easy dissipation of heat, high efficiency of refrigeration and low power consumption, a space or clearance is required around the refrigerator. The refrigerator must have at least 2 inches clearance between the rear of the appliance and the wall, 4 inches between the side and wall and the space above the top should be at least 4 inches. Ensure that there is enough spacing to open the door to 160°.

Ensure that the appliance does not stand on the electrical supply cable. Parts which heat up should not be exposed. Whenever possible, the back of the appliance should be close to a wall but leaving the required distance for ventilation.

Power supply:

1. The appliance is suitable for connection to 110-120V AC 60Hz supply. The refrigerator must be plugged into a dedicated individual 110-120V AC main socket outlet.
2. Do NOT use an extension cord or an adapter plug.
3. The main cord of the refrigerator is fitted with 3-prong plug.

Location:

1. Choose a place that is not too cold—the temperature should be above 50° F and no higher than 110° F.
2. Put the refrigerator in a dry place, avoiding area of high moisture and humidity.
3. Do NOT put the refrigerator in frosty or unprotected areas. Example: in a garage or on a veranda.
4. Do NOT put the refrigerator in direct sunlight.
5. Do NOT put the refrigerator near stoves, fires or heaters.

Stable Placing:

1. The refrigerator must be placed on a flat, dry and solid floor.
2. Do NOT install the appliance directly on carpeting or soft material. Carpeting must be removed or protected by a metal or wood panel beneath the appliance, which extends at least the full width and depth of the appliance.
3. The refrigerator should be level to eliminate vibration and rocking. If the refrigerator is rocking, this means that the floor is uneven. You will need to put some packing under one of the corner rear legs. You could use thin pieces of solid material, such as thin board, vinyl floor tiles or laminate. Place the packing so that it will sit under one of the rear legs when the refrigerator is placed into position. Ensure the refrigerator is upright and adjust the front foot to ensure a good surface contact with the floor so that the cabinet is level. Adjust the level by screwing out the appropriate level adjuster at the front (use a suitable spanner).

This appliance is heavy. Care should be taken when moving it.

When correctly installed, your refrigerator should:

- Have adequate clearance to the back and sides for air circulation
- Be aligned to the surround cupboards
- Have doors that will self-close from a partially open position
- Have the stability leg in place to prevent refrigerator from tilting

Using the appliance:

- This appliance is designed for domestic use only, especially for the storage of edible food.
- This appliance is designed to operate in ambient temperature (surrounding air temperature) between 50° F and 110° F.
- If these temperatures are exceeded (colder or warmer) the appliance will not operate efficiently.

Before Use:

- When using the refrigerator for the first time, remove all securing tapes.
- Wash the interior of the cabinet with warm, soapy water and dry thoroughly.
- Plug the unit into a power outlet and switch on. Ensure power outlet is rated to conform to the details on the rating label.
- Adjust the thermostat knob to the “Max” position to enable the unit to reach the required temperature quickly. The thermostat must be adjusted once the unit has reached the required operating temperature. The operating temperature is related to the room temperature, amount of food stored and the frequency of door opening. You will find the best thermostat setting after a short time. Setting the thermostat to 5 will cause the compressor to run longer and is the coldest setting. When turned to 1, this will reduce the compressor running time and is the warmest setting.

To keep your domestic refrigerator operating efficiently and safely, periodic inspection and cleaning of several components once a month is recommended.

Cleaning your refrigerator:

- Switch off and unplug the appliance from the outlet before cleaning. Remove the cord from the outlet by grasping the plug—do not pull on cord.
- Remove the shelf and wipe down. Place it in a secure place and replace it after the interior of the refrigerator has been wiped clean.
- Wipe the inside and the outside of the refrigerator with a damp cloth, using luke-warm water.
- If the refrigerator is very dirty, wipe it with a neutral detergent first, then use a clean cloth to dry it.
- Do NOT use other types of detergents, cleaners, abrasive powders or solvents which may contain chemicals that could damage the lacquer coat and plastic surface of the refrigerator.

Care of Plastic Parts:

- Ensure that the rubber door gasket is kept clean and free from dirt, grease, etc. Inspect regularly to ensure it is clean.
- If the plastic parts of the refrigerator are contaminated by oil/grease (animal or vegetable) for a long time, they will age more quickly and can become brittle and crack easily. They will also emit an odor. Therefore, you should get into the habit of cleaning it regularly.

Cleaning Condenser

Dust accumulation on the condenser increases energy consumption. The condenser at the back of the refrigerator should be carefully cleaned once a year with a soft brush or vacuum cleaner.

Notes: After cleaning the refrigerator, check the following points:

- Are the power supply cord and plug broken?
- Is the plug set properly?
- Is the grounding wire loose?
- Is there a block on the drainage outlet?
- Is it properly installed?

In case of power failure:

- Do NOT place foods in the refrigerator and minimize how many times the door is opened.
- Due to the increase of temperature in the refrigerator chamber, it is recommended to use the foods as soon as possible to prevent them from spoiling.

Defrosting the refrigerator:

- To defrost the refrigerator, simply turn the thermostat to the '0' position and remove the power plug from the power outlet. Place the drip tray under the evaporator to collect the water. Remove the food and leave the door open.
- When the ice has melted, wipe the interior with a soft cloth, reset the thermostat to '5', turn the unit on and replace the food. When the unit has reached the desired temperature, reduce the thermostat setting as required.

Switching off the appliance

To switch off the appliance, turn the temperature regulator to position '0'. If the appliance is not going to be used for an extended period:

1. Remove all refrigerated packages.
2. Switch off the appliance by turning the temperature regulator to '0'.
3. Remove the main plug or switch off/disconnect the electricity supply.
4. Clean thoroughly (see Cleaning & Care).
5. Leave the door open to avoid the build-up of odors.
6. Once the unit has been turned off, allow the unit to settle down for about 10 minutes before turning the unit on. This will prevent the compressor from becoming damaged.

Energy Saving Hints

- Do not install the appliance close to sources of heat, such as an oven, dishwasher or radiator.
- Install the appliance in a cool, well ventilated room and make sure that the air openings of the cabinet are not obstructed.
- Avoid unnecessary frosting in the cabinet by packing all foodstuffs into airtight packages before placing them in the refrigerator.
- Always allow warm food to cool down to room temperature before placing it in the refrigerator.
- Try to avoid keeping the door open for long periods or opening the door too frequently as warm air will enter the cabinet and lower the efficiency of the refrigerator and increase the work of the compressor.
- Ensure there are no obstructions preventing the door from closing properly.

The side at which the door opens can be changed from the left hand side (as supplied) to the right hand side, if the installation site requires. Should you require the reversal of the door opening direction, please follow these instructions.

WARNING: When changing the side at which the door opens, the appliance must not be connected to an electrical outlet. Unplug the cord by grasping the plug—do not pull on the cord.

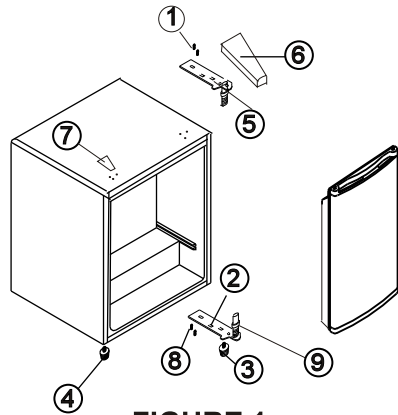


FIGURE 1

Door opening from left side

1. Remove the upper hinge cover (6).
2. Remove the 3 screws (1) that hold the upper hinge (5) (right side) to the frame. Take away the upper hinge (5).
3. Lift the door and place it on a padded surface to prevent scratching.
4. Remove the 2 screws (8) that hold the lower hinge (2). Remove the lower hinge (2). If there is originally a washer on the hinge pin, it must remain there when reversing.
5. Where appropriate or necessary, remove the front levelling legs (4) to conveniently reverse the lower hinge and remember to re-install them after reversing.
6. Move the plug buttons (7) to the holes on the left side.
7. Set the door in its place, making sure it sits on the door seat at the lower hinge (2).
8. While holding the door in the closed position, secure the upper hinge (5) on the top left-hand side with the three screws (1). Do not tighten the three screws until the door is aligned with the cabinet. Adjust the lower hinge (2) if necessary while aligning the door.
9. Install the upper hinge cover (7) on the upper hinge (5).

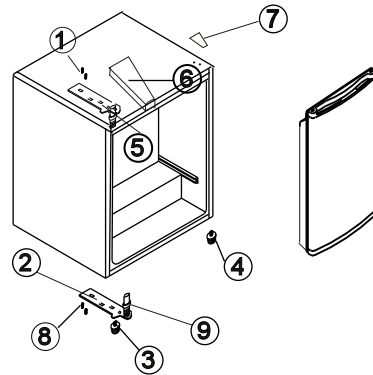


FIGURE 2

Door opening from right side

Normal Operating Sounds:

The following noises are characteristic of refrigeration appliances:

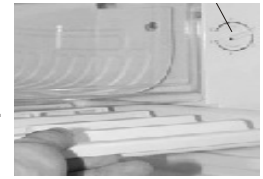
Clicks: Whenever the compressor is switched on or off, a click can be heard.

Humming: As soon as the compressor is in operation, you can hear it humming.

Bubbling/Splashing: When refrigerant flows into thin tubes, you can hear bubbling or splashing noises. Even after the compressor has been switched off, this noise can be heard for a short time.

Changing the Light Bulb

1. Remove the water drip tray.
2. Hold the lamp cover and push toward inside of the cabinet.
3. Remove the lamp cover.
4. Unscrew the bulb and screw in a new 10-watt bulb.
5. Hold the lamp cover and turn toward the opening of the cabinet.
6. Replace the water tray.



1.



2.



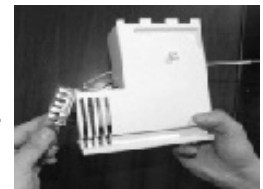
3.



4.



5.



6.



7.

When there is something wrong with your refrigerator, check the following points before asking for repair:

PROBLEM	CAUSE	REMEDY
The appliance does not operate	The appliance is not turned ON	Turn ON the appliance
	Main plug is not plugged in or loose	Insert main plug
	Fuse has blown or is defective	Check fuse, replace if necessary
	Socket is defective	Main malfunction is to be corrected by an electrician
Appliance cools too much	Temperature is set too cold	Turn temperature regulator to a warmer setting temporarily
	Temperature is not properly adjusted	Please check the "Using the Appliance" section to learn how to adjust the temperature
Food is too warm	Door was opened for an extended period of time	Open the door only as long as necessary
	A large quantity of food was placed into the refrigerator within the last 24 hours	Turn the temperature regulator to a cooler setting temporarily
	The appliance is near a heat source	Please check the "Using the Appliance" section to learn how to adjust the temperature regulator to offset the heat source or find another suitable place
Interior light does not work	Light bulb is defective	Please check the "Changing the Light Bulb" section
Heavy build-up of frost, possibly on the door seal	Door seal is not air tight (possibly after reversing the door)	Carefully warm the leaking sections of the door seal with a hair dryer (on a cool setting). At the same time, shape the door seal by hand so that it fits correctly

PROBLEM	CAUSE	REMEDY
Unusual noise	Appliance not level	Readjust the foot
	Appliance is touching the wall	Move the appliance away from the wall 2 inches
	A component (i.e. a pipe) on the rear of the appliance is touching another part of the appliance or the wall	If necessary, carefully bend the component out of the way
The compressor does not start immediately after changing the temperature setting	This is normal, no error has occurred	The compressor will start after a period of time
Water on the floor or on the storage shelves	This is normal and due to condensation	Wipe the floor with a dry cloth

For Your Safety

- Always check full refrigerator operation as detailed above before returning the unit as faulty.
- It is not advisable to loosen any parts which are fixed by screws. Contact the manufacturer for advice.
- Do not operate the unit with a damaged cord or plug, or after the unit malfunctions or is damaged in any manner. Return the complete unit to the place of purchase for in-warranty replacement, or inspection and repair.
- CAUTION: To reduce the risk of electrical shock, DO NOT remove the cover (or back) while the unit is in operation or connected to the main power supply.
- In some products, the replacement of flexible cords by the user is not intended. Special tools are required to safely replace the cord. Return the complete product for inspection and repair

DANGER: Never repair a faulty—or what is thought to be a faulty—machine yourself. This can jeopardize your life or the lives of subsequent users. Leave repairs to electrical equipment to authorized technicians.

DO NOT:

- Operate this appliance before reading the instruction booklet
- Place articles on or against this appliance
- Store chemicals or flammable materials or spray aerosols near this appliance

If any item, for any reason, does not meet your expectations, just return it to us. We'll gladly either:

- Refund your merchandise amount
- Credit your account
- Send a replacement

You can return any unused item in its original packaging within 60 days of its receipt for a full refund of the purchase price (excluding shipping and handling charges).

Please send returns to:

**Montgomery Ward, Inc.
Attn: Customer Returns
2000 Harrison Suite 100
Clinton, IA 52732-6676**

When returning an item:

- Use the original packaging and pack it securely.
- Please adequately insure your item in case you need to make a claim with the carrier you choose for returning your item.
- Include your order number and reason for return.
- We recommend keeping the receipt for 4 weeks.

Chef TESTED ✓

1 Year Limited Warranty

Montgomery Ward, Inc. warrants this Chef Tested product to be free from defects in material and workmanship for one year from provable date of purchase.

Within this warranty period, Montgomery Ward will repair or replace, at its option, defective parts of this Chef Tested product at no charge, provided the product is returned, freight prepaid with proof of purchase to Montgomery Ward. Allow 2-4 weeks for return shipping.

This warranty does not cover improper installation, misuse, abuse or neglect on part of the owner. Warranty is also invalid in any case that the product is taken apart or serviced by an unauthorized service station.

This warranty gives you specific legal rights and they may vary from state to state.

THE FOREGOING WARRANTIES ARE IN LIEU OF ALL OTHER WARRANTIES AND CONDITIONS, EXPRESS OR IMPLIED, INCLUDING BUT NOT LIMITED TO THOSE OF MERCHANTABILITY OR FITNESS FOR A PARTICULAR PURPOSE.

Montgomery Ward Customer Service
8:00 am to Midnight CST, Monday through Friday

Wards.com 1-888-557-3848