



# ICE MAKER

## User Guide

Item: 726925



***Ginnys.com • 800-544-1590***

** *Facebook.com/GinnysBrand***

** *Pinterest.com/GinnysBrand***

** *Ginnys.com/Blog***

*“Life is happening.*

*We’ll help you live it...one moment at a time!”*

---

---

Thank you for purchasing a Ginny’s Brand Ice Maker! You’ll love how it keeps up with the drink demands of your big crowds at parties (no more running to the store for bags of ice or having to wait on your refrigerator’s ice maker). Enjoy!

---

---

## **TABLE OF CONTENTS**

Important Safeguards	3
Electrical Safety and Specifications	4
Get to Know Your Ice Maker	5-6
How to Operate	7-8
Cleaning & Care	9
Troubleshooting	10-11
Warranty	12

# IMPORTANT SAFEGUARDS

## **READ CAREFULLY BEFORE USING AND SAVE THESE INSTRUCTIONS!**

- FOR HOUSEHOLD USE ONLY. Do not use this appliance for other than its intended use.
- REMOVE all packaging materials and labels before first use.
- **WASH all removable parts before first use. See *INITIAL CLEANING* on page 7 for in-depth instructions BEFORE MAKING ICE.**
- Do not drape the cord over the counter or tabletop, where it can be pulled on or tripped over. Never wrap the cord tightly around the ice maker, as this could cause the cord to fray or break. **To avoid heat damage to the power cord, please ensure that it does not come in close proximity of, or in direct contact with the compressor of the ice maker.**
- We do not recommend using an extension cord with this appliance. However, IF AN EXTENSION CORD IS USED, the marked electrical rating should be at least as great as the electrical rating of this appliance.
- CLOSE SUPERVISION is necessary when using this appliance near CHILDREN.
- A fire may occur if this appliance is used near FLAMMABLE MATERIALS, including curtains, towels, walls, etc. Do not place any paper, plastic, or other non-food items in the appliance. Do not place the appliance or its cord on or near a heated surface, or in a heated oven.
- This appliance should always be used on a STABLE, DRY, HEAT-RESISTANT SURFACE. Do not use near water.
- Do not use an accessory or attachment not recommended by Ginny's, as this may cause injury, or damage the appliance.
- Keep hands, hair and clothing away from all MOVING PARTS.
- Do not use outdoors.
- Turn OFF AND UNPLUG this appliance when not in use.
- NO SERVICEABLE PARTS INSIDE THIS APPLIANCE.
- DO NOT USE AN APPLIANCE WITH A DAMAGED CORD OR PLUG, OR AFTER THE APPLIANCE MALFUNCTIONS, OR HAS BEEN DAMAGED IN ANY MANNER.
- ONLY FRESH, CLEAN WATER CAN BE USED IN THIS APPLIANCE. THE USE OF JUICES, MILK, SODA, AND THE LIKE MAY DAMAGE THE UNIT.

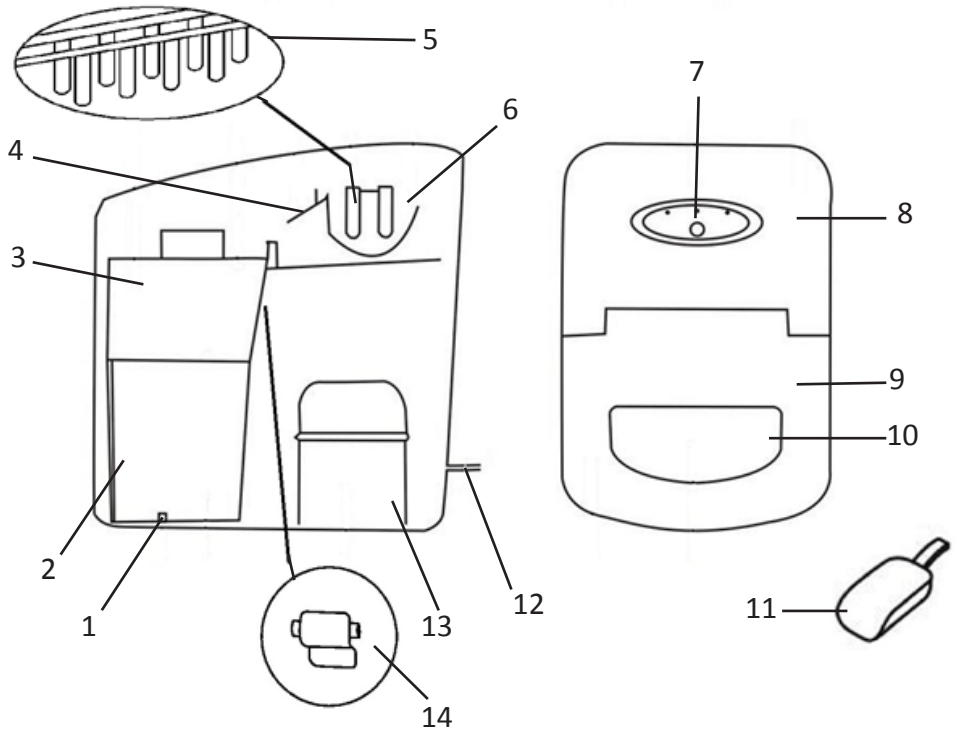
# ELECTRICAL SAFETY

This appliance is equipped with a three-prong grounding plug. This is a safety feature to reduce the risk of electrical shock. Using an extension cord is not recommended with this appliance. It is recommended that an electrical outlet serving ONLY this appliance be used. This outlet must be properly installed and grounded. If you have any questions about the grounding or electrical instructions, contact a qualified electrician. Do not attempt to modify the plug in any way. Ginny's cannot accept any liability for damage or injury resulting from failure to observe these safety procedures.

## SPECIFICATIONS

POWER RATING	120 V, 60 Hz, 150 W
CAPACITY	1.8 Quart
CORD LENGTH	72"
DIMENSIONS	9.5" W x 14" D x 13.5" H
REFRIGERANT	R134a
MODEL	ZB-18

# GET TO KNOW YOUR ICE MAKER

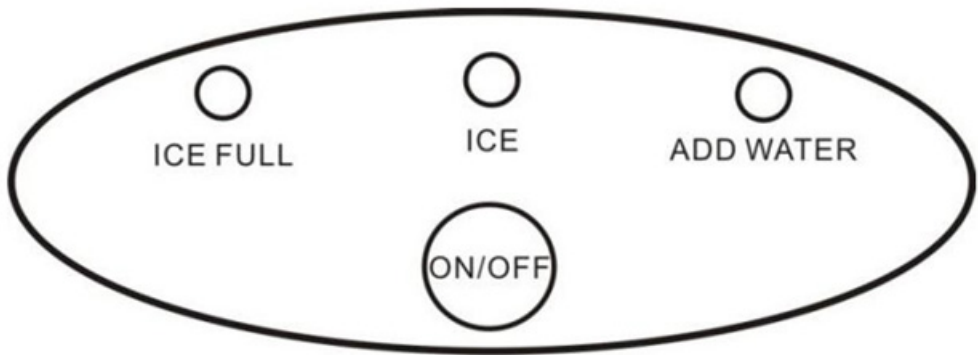


1. Silicone Drain Stopper
2. Water Reservoir
3. Removable Ice Basket (holds the formed ice)
4. Ice Case Panel (pushes formed ice into the basket)
5. Evaporator Rods (where the ice is formed)
6. Water Tray
7. Control Panel (see page 6)
8. Top Cover
9. Lid
10. Window
11. Scoop
12. Power Cord
13. Compressor
14. Ice Sensor (determines when basket is full)

(continued on next page)

# GET TO KNOW YOUR ICE MAKER

## CONTROL PANEL



**ON/OFF** button: Press to power unit on or off.

**ICE FULL** indicator light:

This light will turn on and there will be a long continuous beep when the ice maker is full. Remove the ice; wait for a minute, and the ice maker will start working again (light will go off).

**ICE** indicator light: This light will turn on when the ice maker is making ice.

**ADD WATER** indicator light:

This light will turn on along with a continuous beeping sound when the water level is too low. Fill with water, wait 3 minutes and press ON/OFF to restart. When the water reaches the fill line, the icemaker will restart automatically.

# HOW TO OPERATE

**Note:** Find a location for your ice maker that is protected from direct sunlight and other sources of heat — stove, furnace, radiator, etc. Place the ice maker on a level surface and ensure there is at least 8" of space between walls or cabinets and the back, sides, and top of unit.

**WARNING:** Do not tip unit over. During transportation, the incline angle of the machine should not be over 45°. Do not turn the ice maker upside down, as this may damage the compressor. If the unit has been tipped, allow the refrigerant fluid to settle for several hours before plugging in the unit.

## **INITIAL CLEANING:**

1. Ensure the drain stopper is in place.
2. Open the lid and pour 2 cups water and ¼ cup vinegar into the water reservoir. Close the lid.
3. Plug the ice maker into an electrical outlet. The ICE indicator light will blink.
4. Press ON/OFF to begin the ice making cycle.
5. Discard all of the ice; after several cycles, drain any remaining vinegar water from the reservoir using the drain stopper. Use a paper towel, if needed, to mop up residue in the reservoir.

# HOW TO OPERATE

## **MAKING ICE:**

**Note:** This machine normally produces 9 pieces of ice with each cycle. Expect it to take 20 minutes for the first cycle. After that, it should take approximately 10 minutes per cycle. **For the first 3 cycles, the ice may be small and irregular in size.**

1. Ensure the drain stopper is in place.
2. Fill the reservoir with cold water up to the basket line (we recommend using filtered water). **Ensure the water level in the reservoir is not over the bottom of the ice basket.**
3. Close the lid, and plug the ice maker into an electrical outlet.
4. Press ON/OFF to begin the ice making cycle.
5. While the ice maker is on, regularly check the ADD WATER indicator. If the water pump can't inject water, the ice maker will stop automatically and the ADD WATER indicator will come on. Turn the unit off using ON/OFF, then fill the reservoir again. Allow 3 minutes for the refrigerant to settle, then press ON/OFF to restart the ice making cycle.
6. When the ice basket is full, the ICE FULL indicator light will turn on. At this point, you should remove some of the ice with the scoop. (When there is room in the basket, the machine can resume making ice.)
7. Press ON/OFF to stop the ice maker. Unplug when finished using.

**Tip:** **This unit is not a freezer, it will not keep ice frozen indefinitely.** If not immediately using the ice, remove it and store in a freezer or cooler.



# CLEANING & CARE

1. Turn off and unplug the ice maker.
2. Remove the ice basket and wash it in warm, soapy water.
3. Open the drain stopper to drain all remaining water from the reservoir.
4. Do not use abrasive brushes or pads, or harsh cleaning solutions.
5. Clean the exterior and interior of the ice maker regularly with a mild detergent solution and warm water. Wipe dry.
6. Do not immerse any electrical appliance, its cord, or its plug, into water.
7. Ensure all parts are dried thoroughly before reassembling and using the ice maker.
8. Replace the drain stopper.
9. When the ice maker is not in use, or is being stored, ensure the reservoir is *completely dry* to keep mold from forming. Store with the drain stopper *open*.
10. **As needed, follow the vinegar and water cleaning instructions on page 7 to keep your ice machine functioning properly.**

# TROUBLESHOOTING

PROBLEM	POSSIBLE CAUSE	SOLUTION
The compressor works abnormally with a buzzing noise	The voltage is lower than intended	Stop ice maker and do not restart until voltage is normal.
No water is pumped up to the water tray over two cycles, but there is enough water in the reservoir	The pump is full of air	Unplug the drain stopper and let some water run out. Restart the unit.
The ice is made too large and is sticking together	Ice from previous cycles left in the water tray	Turn off the unit. Restart after the ice in water tray melts down or is removed.
Ice making cycle is normal, but no ice is made	Water temperature in inner tank is too high  Room temperature is too high	Change the water in the reservoir (use water between 45°F-80° F).  Room temperature should be 65°F-100°F.
ADD WATER and ICE FULL indicators both light up	Water tray or ice case panel is blocked by ice	Clear the ice from under the ice case panel. Unplug from the outlet and then plug back in. Press ON/OFF, allow a few minutes for the machine to restart automatically.
Machine keeps running, but the water is warmer than the normal temperature	The magnetic valve is broken	Call customer service.

# TROUBLESHOOTING

PROBLEM	POSSIBLE CAUSE	SOLUTION
Ice maker is leaking liquid	<p>The drain stopper may not be inserted properly</p> <p>Pipe in the cooling system is blocked</p> <p>Refrigerant liquid leakage</p>	<p>Check the drain stopper.</p> <p>Call customer service.</p> <p>Call customer service.</p>
There is not enough ice in the ice basket, but ICE FULL is on	<p>The room temperature may be too low</p> <p>Ice may be touching the sensor</p>	<p>Room temperature should be 65°F-100°F.</p> <p>Remove all ice.</p>
Ice is melting	<p>Location of the ice maker may cause temperature changes</p> <p>Opening and shutting the lid may cause temperature fluctuations</p> <p>Leaving ice in the appliance for an extended period of time may also result in the appliance recycling the melted ice</p>	<p>Room temperature should be 65°F-100°F.</p> <p>Avoid leaving lid open.</p> <p>Transfer ice to another container for storage in a cooler or freezer.</p>
Humming or knocking sound heard from the back side of the unit	This is normal and occurs as water is being pumped from the water tank.	Do nothing.

# WARRANTY

Ginny's warrants this product free from defects in material and workmanship for one year from provable date of purchase.

Within this warranty period, Ginny's will repair or replace, at its option, defective parts at no charge, provided the product is returned, freight prepaid with proof of purchase to Ginny's. Allow 2-4 weeks for return shipping.

This warranty does not cover improper installation, misuse, abuse or neglect on part of the owner. Warranty is also invalid in any case that the product is taken apart or serviced by an unauthorized service station.

This warranty gives you specific legal rights and they may vary from state to state.

THE FOREGOING WARRANTIES ARE IN LIEU OF ALL OTHER WARRANTIES AND CONDITIONS, EXPRESS OR IMPLIED, INCLUDING BUT NOT LIMITED TO THOSE OF MERCHANTABILITY OR FITNESS FOR A PARTICULAR PURPOSE.



Ginny's, Inc.  
1112 7th Avenue  
Monroe, WI 53566

Customer Service: 800-544-1590  
8:00 a.m. to Midnight CST, Monday through Friday