

Montgomery Ward®

Montgomery Ward®

Durable
&
Reliable

18-Volt Cordless Drill & Worklight



Model: DJC158SCZ

Montgomery Ward Customer Service
1112 7th Avenue, Monroe, WI 53566
8:00 a.m. to Midnight, Monday through Friday

Wards.com 1-888-557-3848

Instruction Manual

Item No.: 743503

Wards.com 1-888-557-3848



Thank you for purchasing your Cordless Drill and Worklight by Montgomery Ward®. They will perform to the highest standard, time after time, with all the convenience and durability you rely on from Wards. We guarantee it!

Your cordless drill is light on weight but heavy with power. It conveniently has a battery indicator light and comes with six drill and six screw bits. Let your worklight illuminate the way on all of your projects.

Table of Contents



Important Safeguards.....	3-4
Parts & Features Drill.....	5
How to Use the Drill.....	6
Drilling Tips.....	7
Charging the Battery.....	7
Overload Protection.....	7
Parts & Features Worklight.....	8
How to Use the Worklight.....	8
Cleaning and Disposal.....	8
Troubleshooting.....	9
Specifications.....	9
Warranty & Return Information.....	10-11

PLEASE SAVE THESE INSTRUCTIONS

© 2016 Montgomery Ward, Inc. All rights reserved.

Important Safeguards

THIS MANUAL CONTAINS IMPORTANT INFORMATION REGARDING SAFETY, OPERATION, MAINTENANCE AND STORAGE OF THESE PRODUCTS. BEFORE USE, CAREFULLY READ AND UNDERSTAND ALL CAUTIONS, WARNINGS, INSTRUCTIONS AND PRODUCT LABELS. FAILURE TO DO SO COULD RESULT IN SERIOUS PERSONAL INJURY AND/OR PROPERTY DAMAGE.

 WARNING:	Indicates a potentially hazardous situation which, if not avoided, could result in death or serious injury.
 CAUTION:	Indicates a potentially hazardous situation which, if not avoided, may result in minor or moderate injury.
IMPORTANT:	Provides additional information that is useful for proper use and maintenance of this tool.

WORK AREA SAFETY:

1. Close supervision is necessary when any power tool is used near children. These tools are not suitable for use by children. NEVER leave equipment unattended when children are present.
2. Keep work area and surface clean and well lit.

PERSONAL SAFETY:

1. Stay alert and use common sense when operating power tools. NEVER use a power tool while tired or under the influence of medication, drugs or alcohol.
2. Wear personal protection equipment such as safety glasses, dust mask, nonskid safety shoes, hearing protection and gloves that are appropriate to the task.
3. Do NOT wear loose-fitting clothing or jewelry. Keep clothing, long hair and gloves away from moving parts.
4. Do NOT carry a power tool with your finger on the trigger.
5. Ensure safety lock, if available, is engaged when inserting the battery.
6. Do NOT overreach. Make sure your stance is steady and well balanced at all times. This will allow you to have more control in unexpected situations.

ELECTRICAL SAFETY:

1. Only use the battery and charger approved by the manufacturer. A charger suitable for one type of battery can constitute a fire hazard if used for another type of battery.
2. Do NOT expose tools to rain or other wet environments. Water inside a power tool increases the risk of electric shock.
3. Do NOT store rechargeable battery in sunlight or near metal objects such as paper clips, coins, keys, nails, screws or any other small objects that could bridge the gap between the battery terminals.
4. Do NOT use tool if the power switch does not properly work. Any tool that cannot be controlled with the power switch is dangerous and must be replaced.

CORDLESS POWER TOOL GENERAL SAFETY:

1. Power tool should be switched to OFF when installing battery to avoid equipment damage and personal injury.
2. Do NOT expose power tools to extreme temperatures or fire.
3. To protect against electrical shock, do not place or use power tool in water or other liquid.
4. Avoid contact with corroded or damaged batteries.
5. Do NOT operate any power tool that malfunctions or has been damaged in any manner. Call our toll-free customer service number for information regarding replacement or returning the product.
6. Do NOT use tool for anything other than its intended use.

DRILL SAFETY:

WARNING:

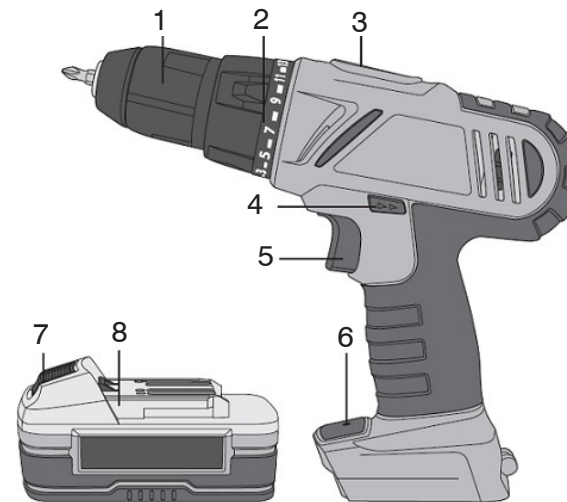
- Use clamps or other practical ways to secure and support the workpiece to a stable platform. Holding the workpiece by hand or against your body is unstable and may lead to loss of control and personal injury.
- When using the drill, always maintain a firm grip on the tool with both hands. NEVER put your hands or feet in the drilling area. Do NOT grasp or place your hands too close to the drill/screw bit when drill is operational.
- When drilling into walls or other places where there might be hidden electrical wires, cut off the power supply to any wiring circuits which may be hidden behind the wall. Do NOT touch the chuck or metal housing when drilling in areas where there might be live electrical wires.
- Do NOT use blunt or damaged drill bits.
- If the bit jams, release the trigger immediately.
- Allow bit to cool down before removing or adjusting.
- Do NOT use cordless drill near flammable liquids, gases or dust. Power tools generate sparks that can easily ignite dust or fumes.

WORKLIGHT SAFETY:

WARNING:

1. Worklight is not waterproof. Do NOT use in areas of high humidity.
2. Do NOT use the worklight in environments containing flammable liquids or gases.
3. NEVER look directly into the beam and do not shine the light at another person's eyes.

IMPORTANT: Neither the cordless drill nor the worklight contain user serviceable parts. Do NOT try to repair either of them yourself. If problems occur, call our toll-free customer service number for information regarding replacement or returning the product.



- | | |
|----------------------------|---|
| 1. Keyless chuck | 5. Power trigger (variable speed) |
| 2. Torque dial | 6. Power light/battery charge indicator |
| 3. Gear selector (LO/HI) | 7. Battery release button |
| 4. Direction/lock selector | 8. Battery |

How to Use the Drill

Prior to Use

1. Charge the battery following the instructions in this manual.
2. Confirm that the workpiece, especially ones that are small or lightweight, is securely anchored or clamped to prevent it from slipping.
3. Make sure the direction/lock selector is set in the locked (middle) position.

Operating the Drill

1. Insert the battery into the base of drill, clicking it securely into place.
2. While the drill is locked (direction selector is in middle position), open the chuck by turning clockwise to loosen.
3. Center the drill or screw bit in the middle of the chuck and tighten securely by turning counter-clockwise.
4. Use the torque dial to set to the drilling function (indicated by icon) or to set the proper torque.

IMPORTANT: Torque setting is based on the type and size of screw and the type of material into which the screw is being placed. Always start with the lowest setting and increase in increments.

5. Set gear selector to high (0–1100 rpm) or low (0–400 rpm).
6. Move the direction selector to the left for forward drilling/fastening or to the right for reverse.



WARNING:

NEVER move the direction selector while the drill is in operation.

7. Slowly press the variable speed power trigger to start operation. The power light and battery charge indicators will illuminate. If only the red indicator is lit, the battery needs charging.
 - When drilling a hole, use only enough pressure to follow the drill as it drills the hole in the material. Do NOT force the drill.
 - When inserting or removing a screw, use light pressure to keep the screw bit in the head of the screw.
8. Release the power trigger to stop operation.
9. Move the direction selector to the locked (middle) position.

Drilling Tips

- When drilling into a slippery surface, such as tiles, place a piece of masking tape on the surface to help prevent the bit from slipping.
- When drilling into metal, first use a center punch to create an indentation on the spot for drilling. The indent will help hold the bit in place.
- When drilling into metal use a cutting oil, appropriate for the material being drilled, for cooling and lubrication.

Charging the Battery

IMPORTANT: Batteries need to be fully charged before initial use.

Do NOT charge batteries in direct sunlight. Charge in temperatures between 41–104° F.

1. Remove battery from drill/worklight by pressing the battery release button and sliding it forward. If the battery feels overly warm, allow it to cool down before charging.
2. Connect the battery charger to an electrical socket. The green light will illuminate.
3. Insert the battery into the charger. While the battery is charging, the red light will blink and the green will stay steady. Once the battery is fully charged, both red and green lights will shine steadily.
4. To remove the battery from the charger, press the release button on the battery.

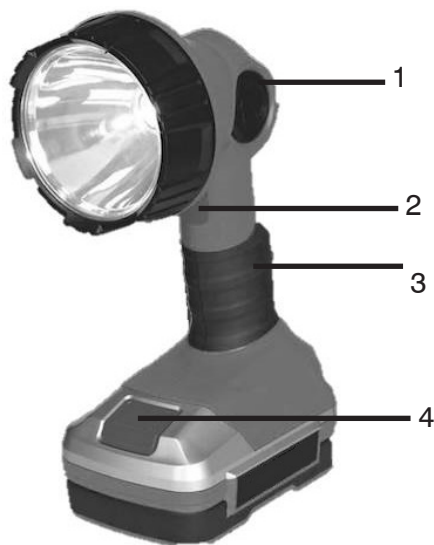
IMPORTANT: Batteries should be fully charged for long-term storage.

Overload Protection

The drill and its battery have built-in safety features to prevent damage to the tool and battery during use.

- During short-term high-load situations, the overload protection will automatically turn off the drill. If this happens, release the trigger, wait a few seconds, ensure that there is no load and then restart the drill. For high-load situations that occur for an extended period of time, wait until the drill returns to normal operating temperature before trying to restart it.
- Adverse temperatures can occur in direct sunlight and should be avoided.
- When the battery becomes discharged, the low-voltage protection turns off the drill automatically. Recharge the battery to continue use.

Parts & Features Worklight



- 1. Pivot connection
- 2. Power button
- 3. Grip handle
- 4. Battery release button

How to Use the Worklight

1. Insert rechargeable battery and push until it clicks in place.
2. Press the power button to turn the worklight on or off.
3. Pivot the worklight head up to 95°.
4. To remove the battery, press the battery release button.

Cleaning & Disposal

IMPORTANT: Remove battery before cleaning.

Clean the power tools using a soft, dry cloth. If necessary, a damp cloth with mild detergent can be used on the drill. Do NOT use solvents or abrasive cleansing agents. Remove debris from the ventilation openings in the drill to maintain proper airflow.

Power tools and batteries should not be disposed of with general household waste. Follow local regulations for proper disposal.



Troubleshooting

Problem	Possible Cause	Remedy
The drill does not start.	Battery discharged.	Recharge the battery.
	Overload protection shut down the tool/battery.	Allow motor/battery to cool down then restart.
	Faulty power trigger.	Contact Customer Service.
The drill is slow and/or shuts off.	Blunt/damaged drill bit.	Replace the drill bit.
	Too much pressure applied.	Decrease applied pressure.
	Battery discharged.	Recharge the battery.
	Overload protection shut down the tool/battery.	Allow motor/battery to cool down then restart.
Sparks in the motor.	Motor fault.	Contact Customer Service.
Worklight does not turn on.	Battery discharged.	Recharge the battery.

Specifications

Drill

Keyless Chuck: 1/2 in.
 Speed Settings: 2
 Torque Settings: 23 + drill
 RPM: low 0–400; high 0–1100
 Drill Bits: 3/32, 1/8, 5/32, 3/16, 7/32, 1/4
 Screw Bits: PH1, PH2, PH3, SL1/8, 3/16, 1/4
 Extension Bar: 2.28 inches
 Battery:
 18-volt Lithium-ion
 Weight:
 3.5 lbs. with battery

Worklight

Beam Type: Fixed
 Lumens: 110–130
 LED bulb: 3 W
 Beam Angle: 120°
 Aperture: 3 inches
 Pivot: 95°
 Battery:
 18-volt Lithium-ion
 Weight:
 1.5 lbs. with battery

If any item, for any reason, does not meet your expectations, just return it to us. We'll gladly either:

- Refund your merchandise amount
- Credit your account
- Send a replacement

You may return any unused item in its original packaging within 60 days of its receipt for a full refund of the purchase price (excluding shipping and handling charges).

Please send returns to:

**Montgomery Ward, Inc.
Attn: Customer Returns
2000 Harrison Suite 100
Clinton, IA 52732-6676**

When returning an item:

- Use the original packaging and pack it securely.
- Please adequately insure your item in case you need to make a claim with the carrier you choose for returning your item.
- Include your order number and reason for return.
- We recommend keeping the receipt for 4 weeks.



1 Year Limited Warranty

Montgomery Ward, Inc. warrants this product to be free from defects in material and workmanship for one year from provable date of purchase.

Within this warranty period, Montgomery Ward will repair or replace, at its option, defective parts of this product at no charge, provided the product is returned, freight prepaid with proof of purchase to Montgomery Ward. Allow 2–4 weeks for return shipping.

This warranty does not cover improper installation, misuse, abuse or neglect on part of the owner. Warranty is also invalid in any case that the product is taken apart or serviced by an unauthorized service station.

This warranty gives you specific legal rights and they may vary from state to state.

THE FOREGOING WARRANTIES ARE IN LIEU OF ALL OTHER WARRANTIES AND CONDITIONS, EXPRESS OR IMPLIED, INCLUDING BUT NOT LIMITED TO THOSE OF MERCHANTABILITY OR FITNESS FOR A PARTICULAR PURPOSE.

Montgomery Ward Customer Service
8:00 a.m. to Midnight CT, Monday through Friday

Wards.com 1-888-557-3848